

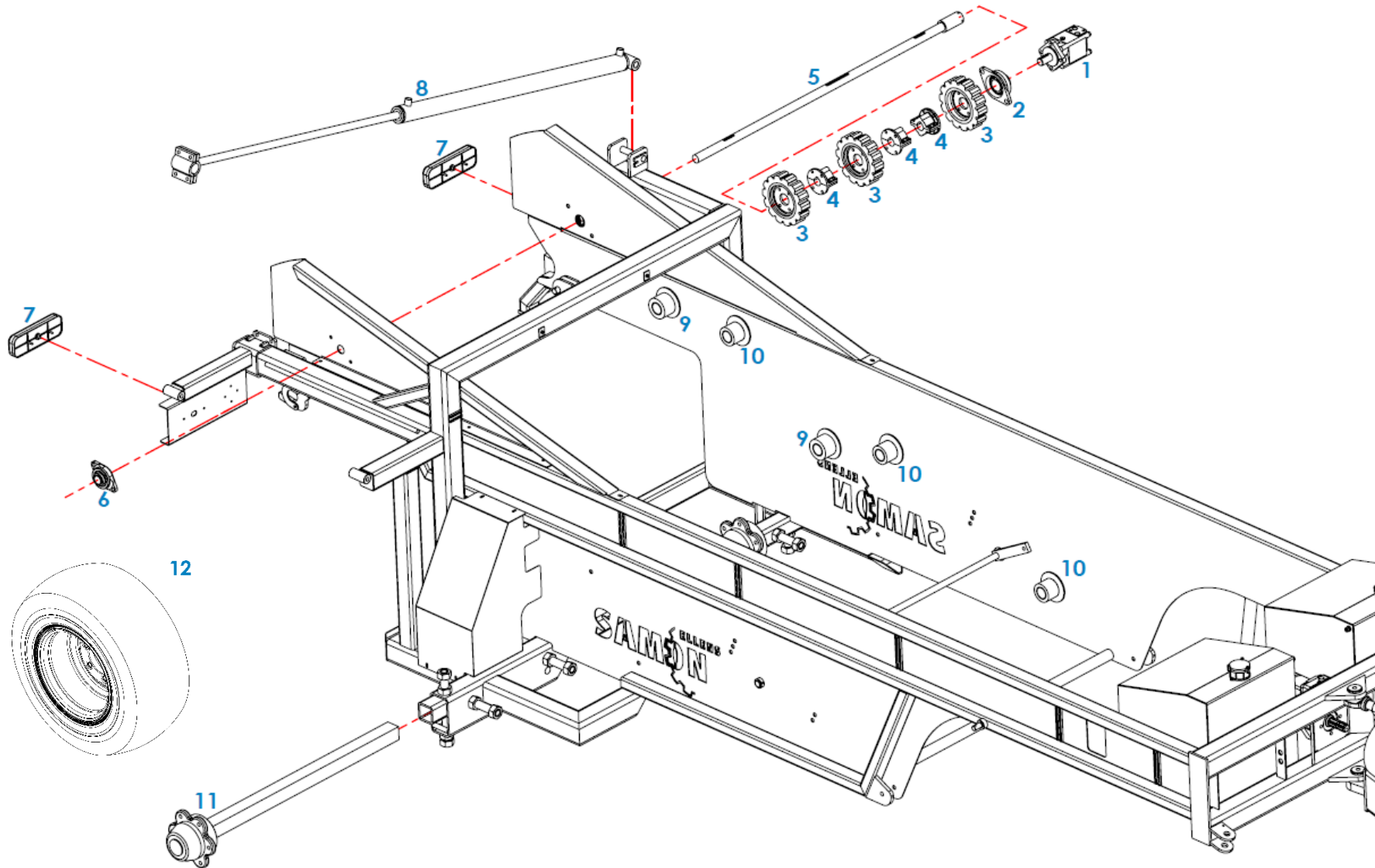
Parts list index

Samon Onion loader SU1L:

Index.	Description.	Page:
A.	Rollers and sieve belt drive.	S-1
B.	Intake and supporting leg.	S-3
C.	Discharge conveyor belt rollers.	S-5
D.	Hedgehog belt.	S-7
E.	Oil tank and pump.	S-9
F.	Sieve belt and sieve belt parts.	S-11
G.	Discharge conveyor belt and discharge conveyor belt parts.	S-13

A. Rollers and sieve belt drive.

SU1L



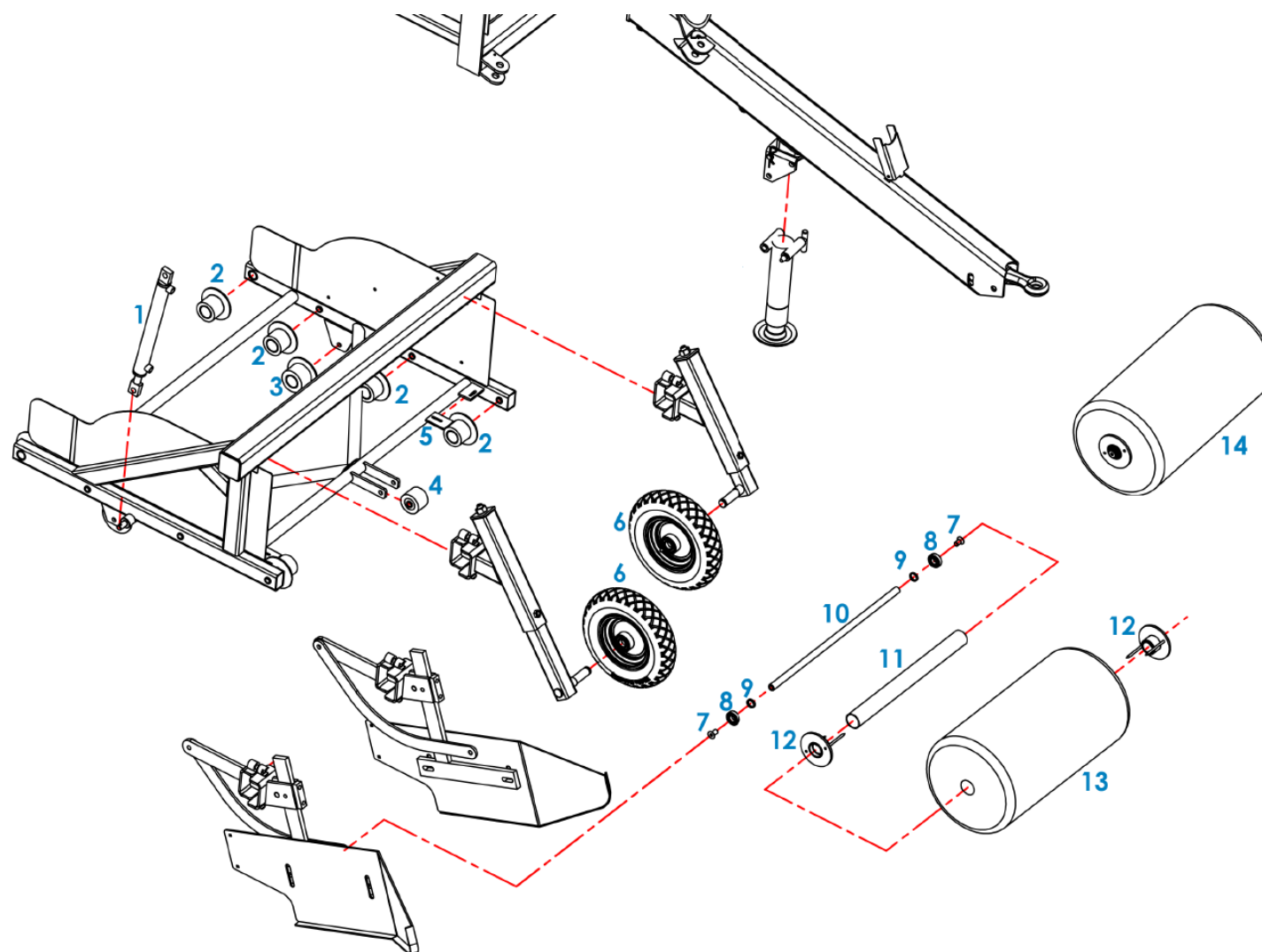
Modifications for technical improvements reserved.

A. Rollers and sieve belt drive.**SU1L**

Pos.:	Description.:	Order no.
01	Hydraulic motor	TL3800
02	Bearing	TL5313
03	Drive wheel	TL6706
04	Hub	TL6702
05	Drive shaft	PE3899
06	Bearing	TL6686
07	Lighting	TL3820
08	Cylinder discharge conveyor	PE3850
09	Rubber roller flanged	TL650
10	Steel roller flanged	TL647
11	Hub and shaft	TL3890
12	Wheel	TL1421

B. Intake and supporting leg.

SU1L



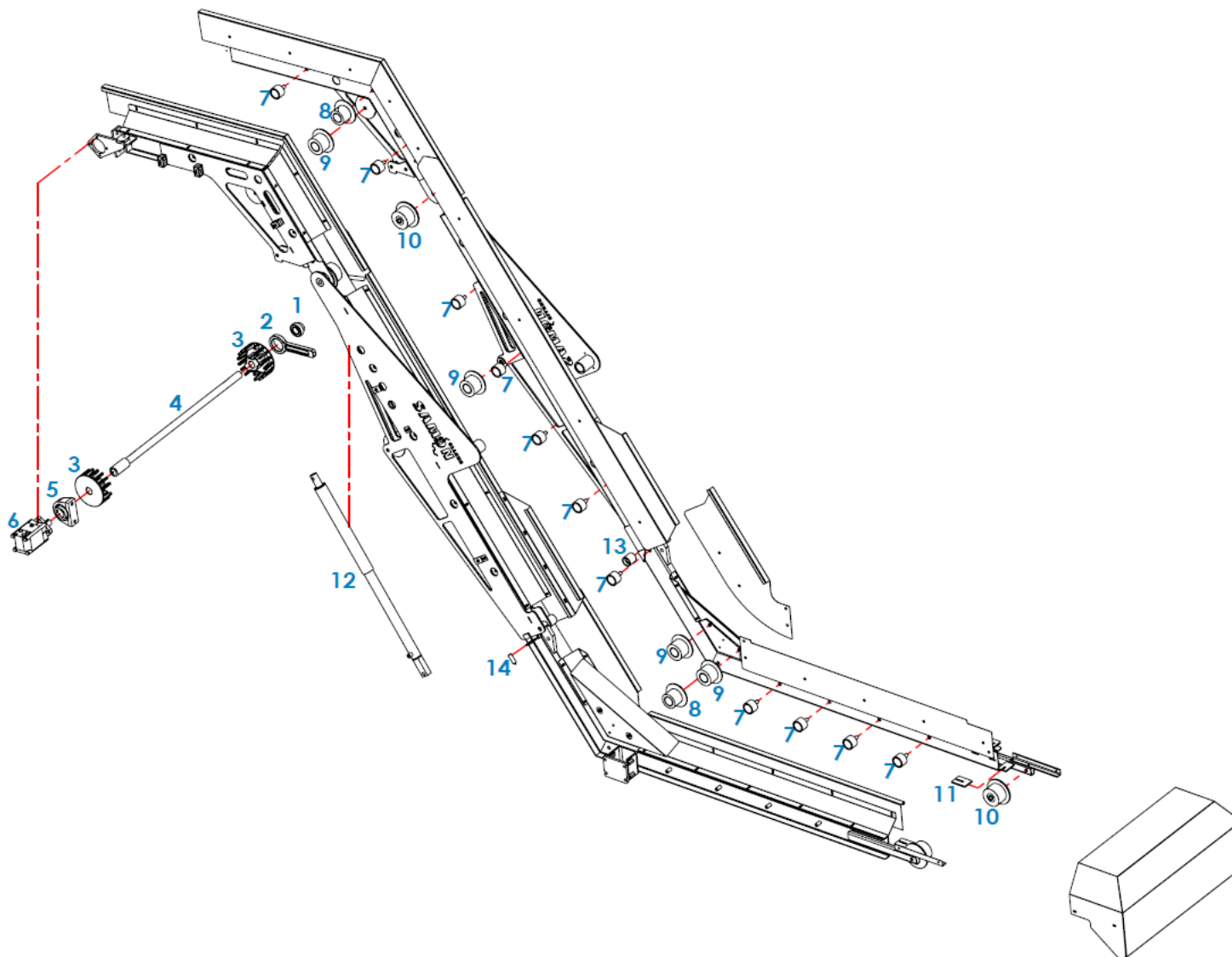
Modifications for technical improvements reserved.

B. Intake and supporting leg.**SU1L**

Pos.:	Description.:	Order no.
01	Cylinder intake	TL2419
02	Steel roller flanged	TL647
03	Rubber roller flanged	TL650
04	Steel roller	TL642
05	Scraper	PE6628
06	Wheel	TL632
07	Bolt	TL6634
08	Bearing	TL817
09	Ring	PE6646
10	Intake roller shaft	PE3910
11	Intake roller inner	PE3911
12	Carrier	PE6627
13	Intake roller	TL3912
14	Complete intake roller	PE3913

C. Discharge conveyor belt rollers.

SU1L



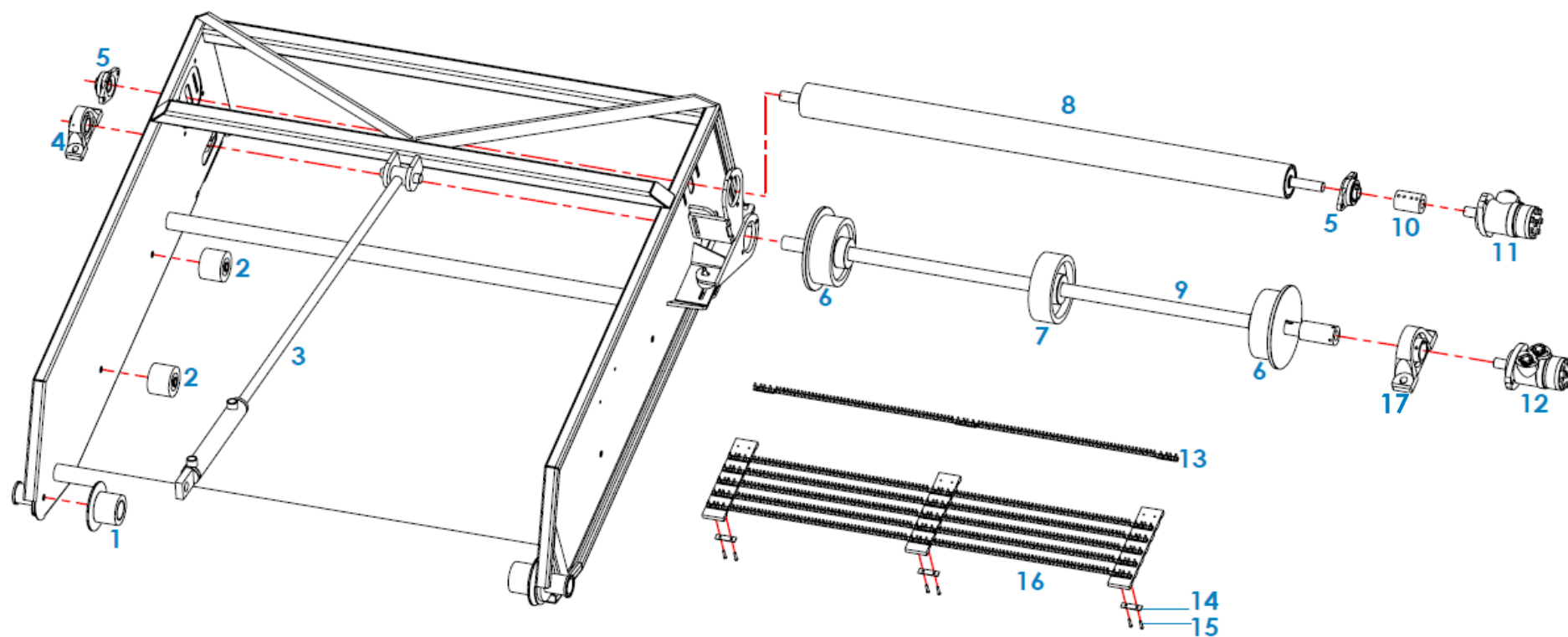
Modifications for technical improvements reserved.

C. Discharge conveyor belt rollers.**SU1L**

Pos.:	Description.:	Order no.
01	Bearing + ring	TL1292
02	Tensioner	TL1291
03	Drive wheel	TL6707
04	Shaft	PE3900
05	Bearing	TL5600
06	Hydraulic motor	TL3801
07	Support roller	TL1247
08	Steel roller flanged	TL647
09	Rubber roller flanged	TL650
10	Steel roller flanged	TL2133
11	Scraper	PE6628
12	Cylinder	PE3851
13	Nylon roller	TL3823
14	Sensor	TL6502

D. Hedgehog belt.

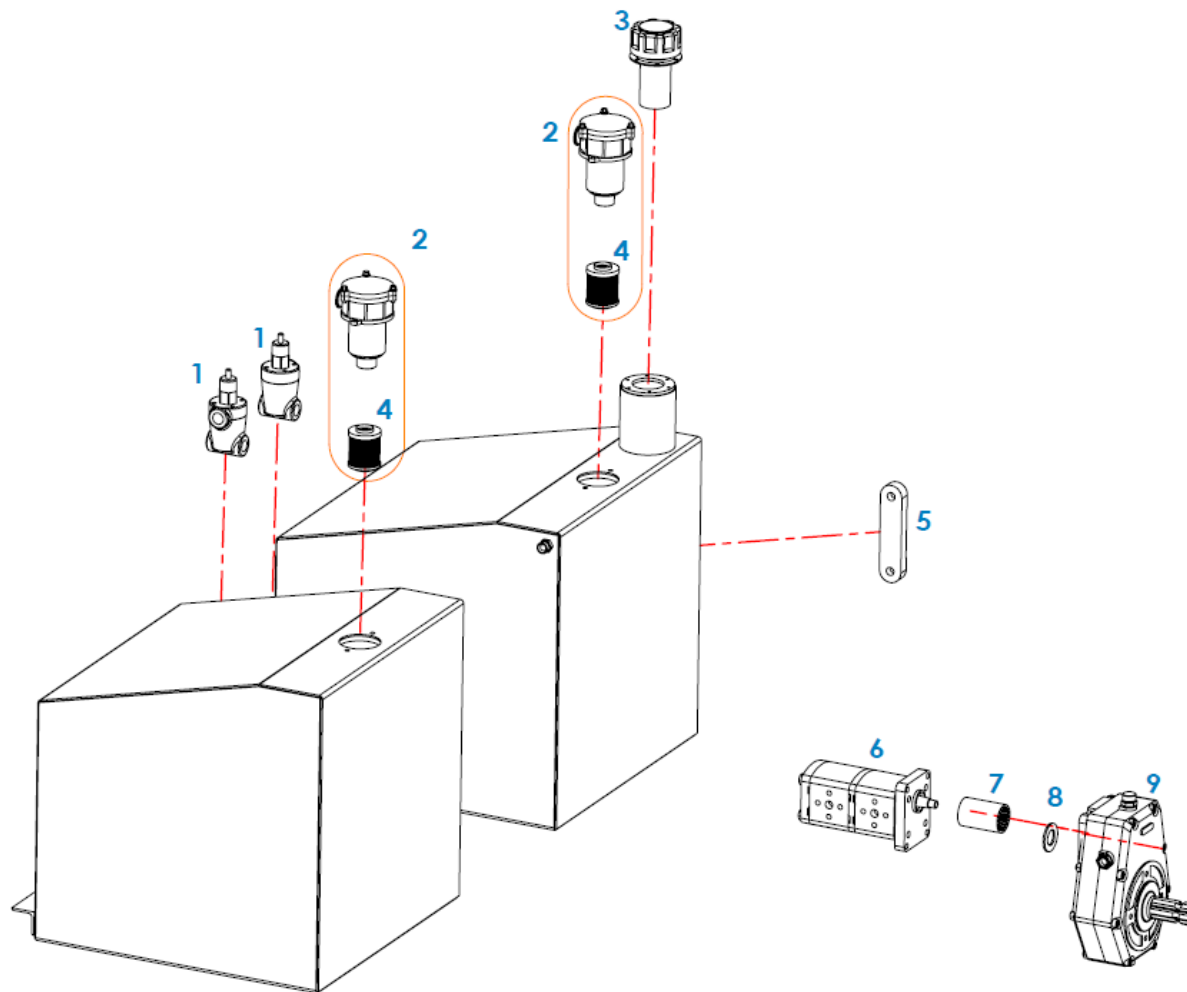
SU1L



Modifications for technical improvements reserved.

D. Hedgehog belt.**SU1L**

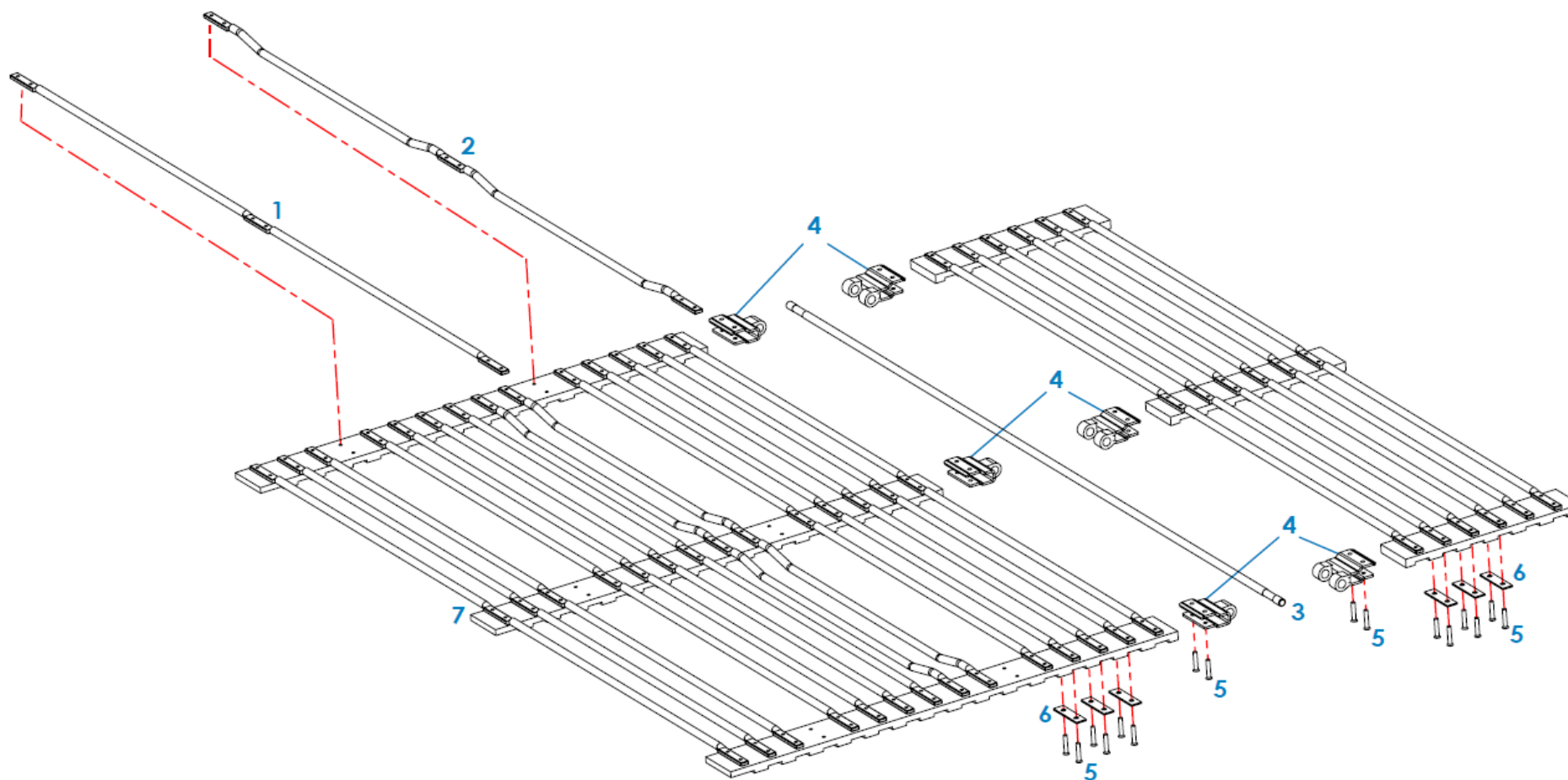
Pos.:	Description.:	Order no.
01	Steel roller flanged	TL647
02	Steel roller	TL771
03	Cylinder hedgehog belt	PE3853
04	Bearing	TL1413
05	Bearing	TL5313
06	Drive wheel with flange	TL6837
07	Drive wheel without flange	TL6838
08	Roller	PE3901
09	Shaft	TL3903
10	Coupling	PE3909
11	Hydraulic motor	TL575
12	Hydraulic motor	TL1297
13	Rivet bar hedgehog belt	TL6851
14	Latch plate	TL105
15	Rivet	TL106
16	Complete hedgehog belt	TL6850
17	Bearing	TL6007



E. Oil tank and pump.

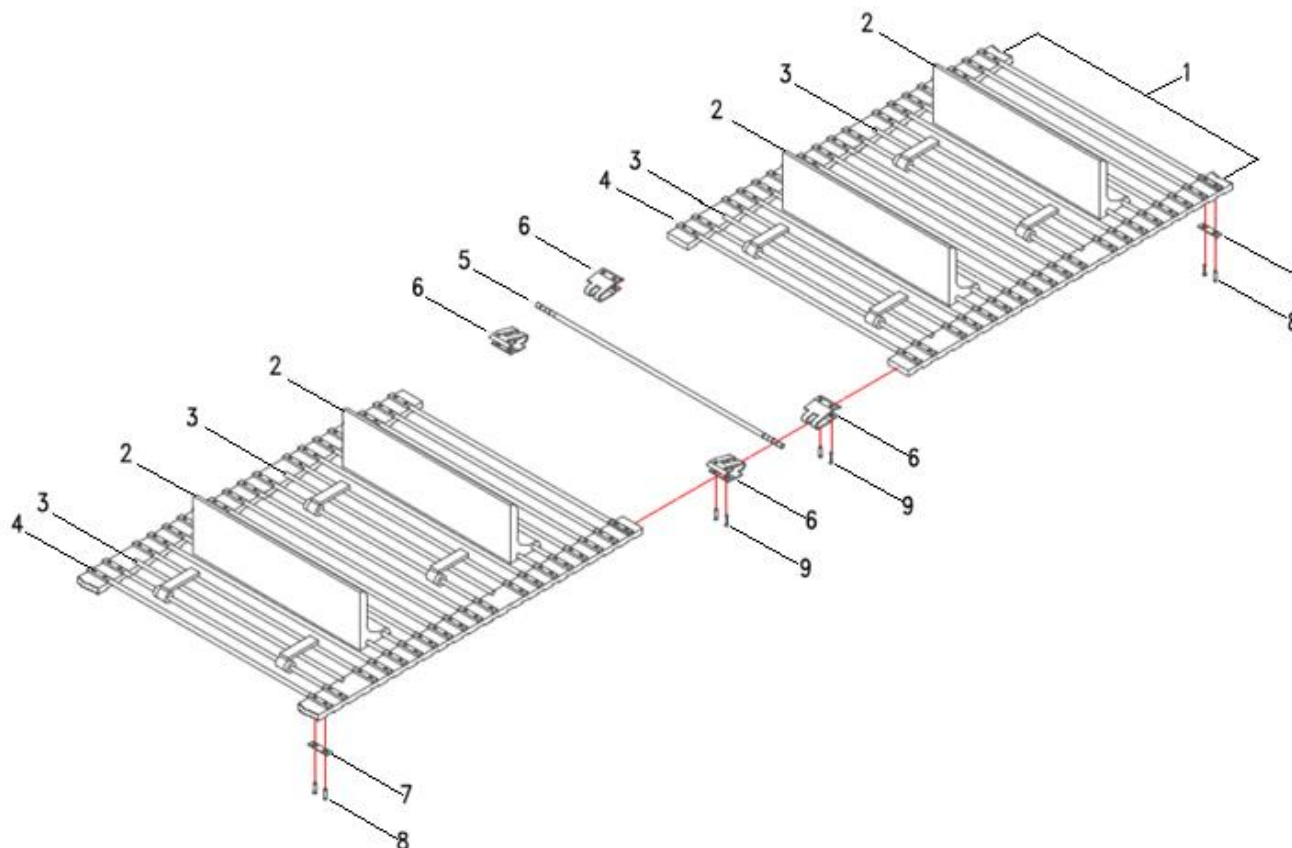
SU1L

Pos.:	Description.:	Order no.
01	Pressure limiting valve	PE7585
02	Filter house	TL3842
03	Filler cap	TL7525
04	Filter	TL3843
05	Oil level indicator	TL7526
06	Double pump	TL3810
07	Coupling	TL3807
08	Ring	TL3806
09	Gearbox	TL3805



F Sieve belt and sieve belt parts.**SU1L**

Pos.:	Description.:	Order no.
01	Rivet bar	TL155
02	River bar down	TL125
03	Lock bar	TL6762/A
04	Lock (set) pitch 42 mm	TL6714
05	Rivet	TL104
06	Latch plate	TL105
07	Complete sieve belt	TL6840



G Discharge conveyor belt and discharge conveyor belt parts**SU1L**

Pos.:	Description.:	Order no.
01	Discharge belt	TL1250
02	Flight	TL1251
03	Single bar	TL1252
04	Rivet bar	TL6765
05	Lock bar	TL6766
06	Lock (set)	TL6714
07	Latch plate	TL105
08	Rivet	TL124
09	Rivet	TL104