

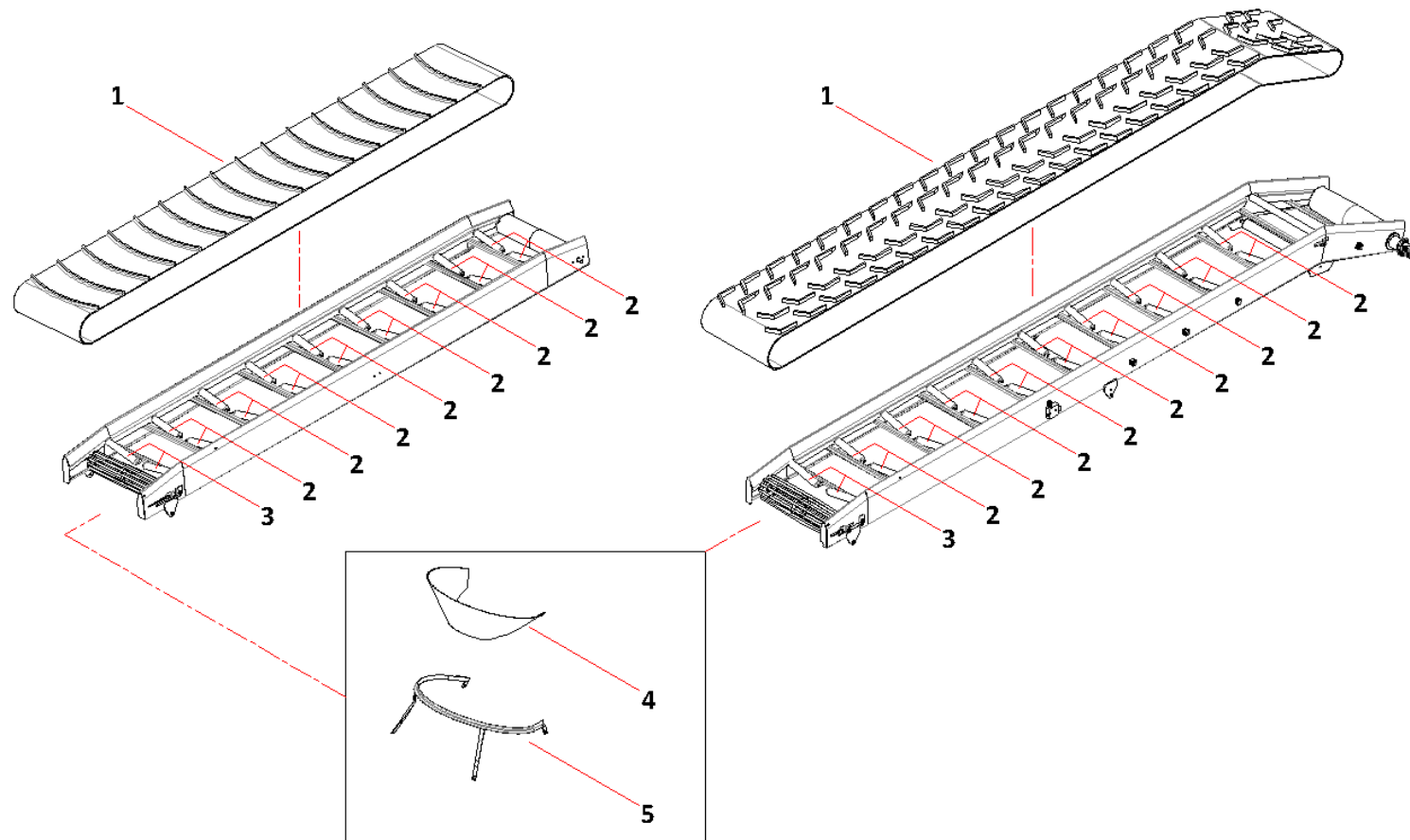
## Index Parts list

### SAMON Elevator:






<b>Index.</b>	<b>Description.</b>	<b>Page:</b>
A.	Conveyor, carrying rollers and hopper.	S-1
B.	Drive unit.	S-3
C.	Support rolls.	S-5
D.	Cage-type roll.	S-7
E.	Swivel frame mechanical height adjustment.	S-9
F.	Swivel frame hydraulic height adjustment.	S-11
G.	Chassis.	S-13
H.	Hydraulic - electrical drive.	S-15
I.	Hydraulic swivel cylinder	S-17
J.	Fall breaker	S-19

## A. Conveyor, carrying rollers and hopper.

---

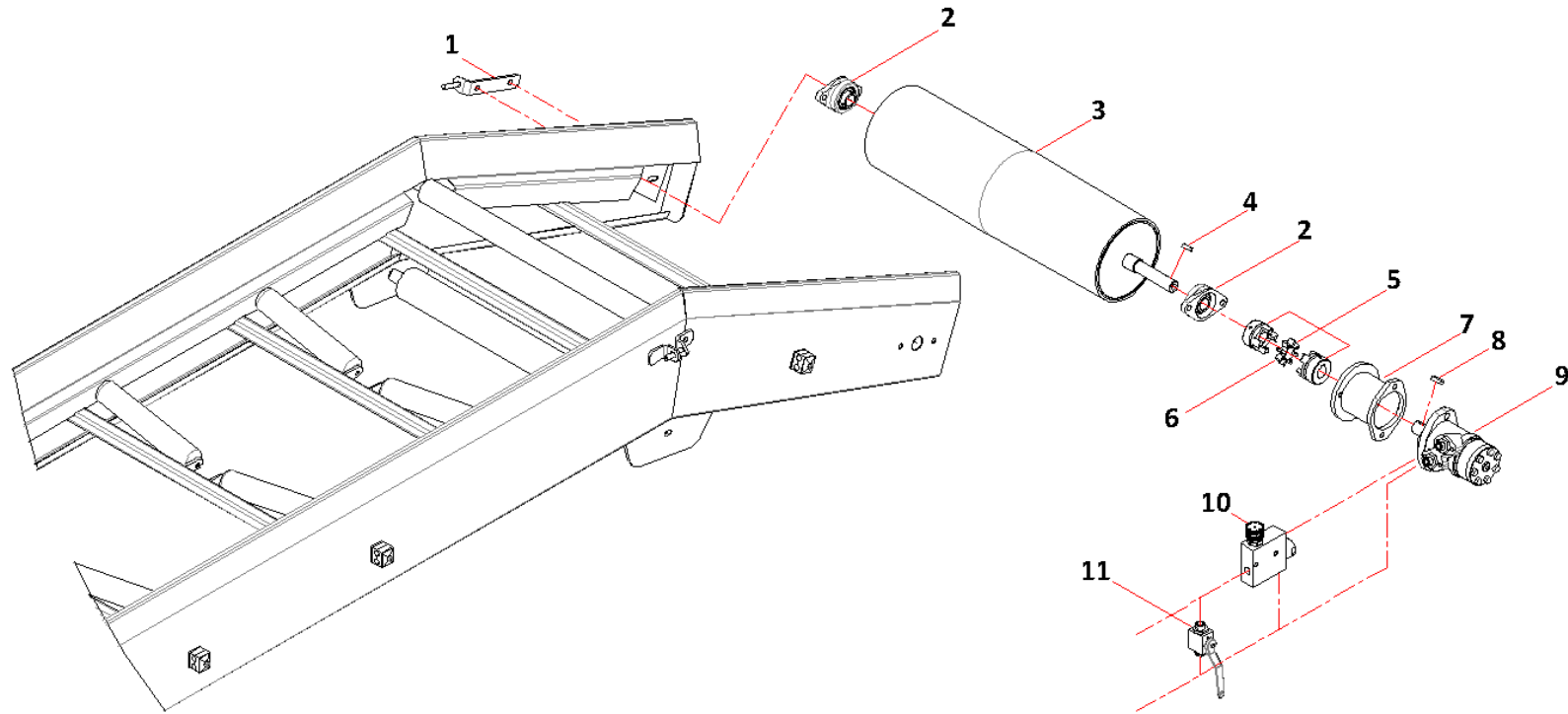


## A. Conveyor, carrying rollers and hopper.






Pos:	Description:	 ON400	 ON350	 ON450	 ON550	 ON650
01	Conveyor	TL496	TL497	TL498	TL6456	TL6457
02	Carrying roll	TL415	TL415	TL415	TL415	TL415
03	Carrying roll	TL466	TL466	TL466	TL466	TL466
04	Rubber	TL488	TL488	TL488	TL488	TL488
05	Bracket	PE487	PE487	PE487	PE487	PE487

## B. Drive Unit.

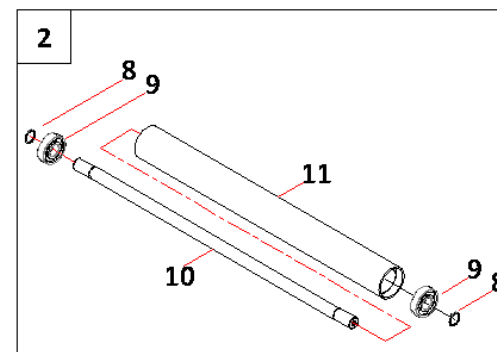
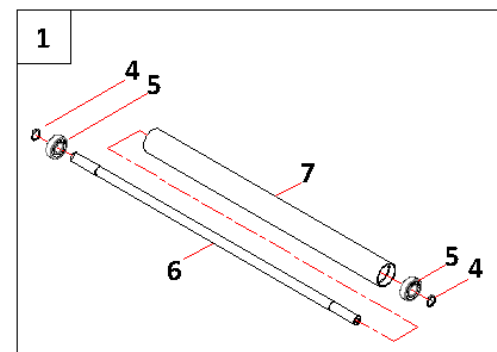
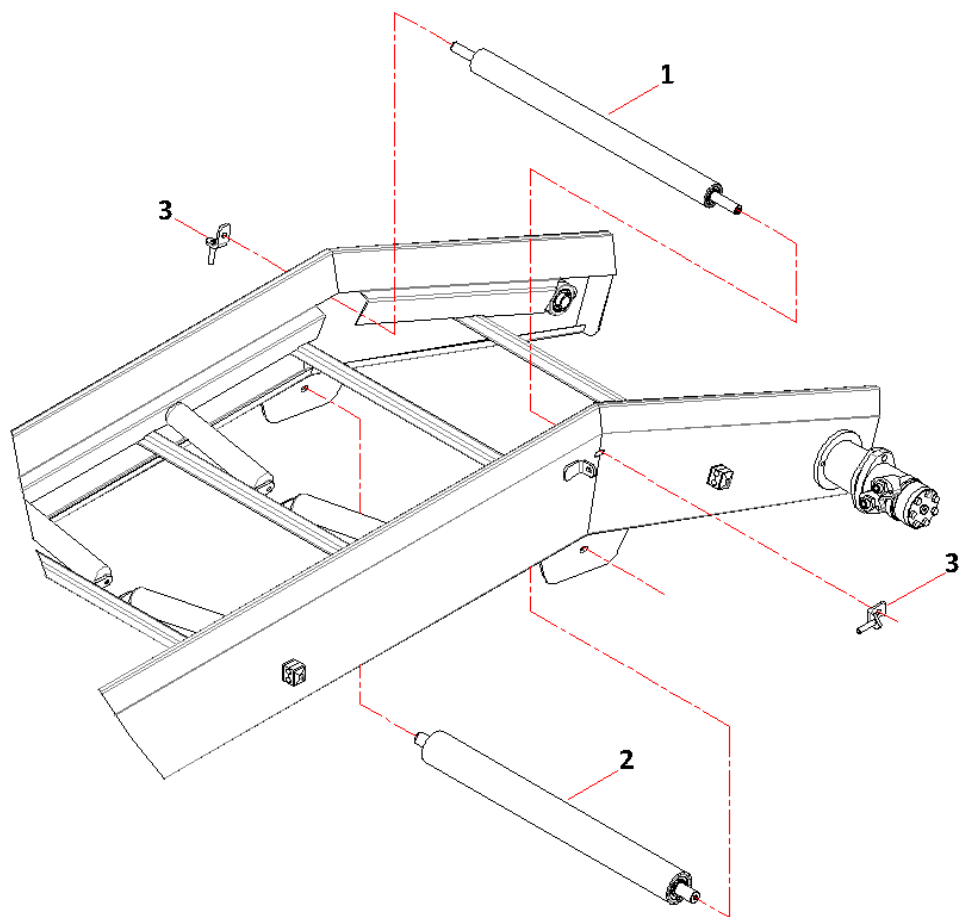
---








## B. Drive Unit.

Pos:	Description:	 ON400	 ON350	 ON450	 ON550	 ON650
01	Adjuster	PE477	PE477	PE477	PE477	PE477
02	Bearing	TL408	TL408	TL408	TL408	TL408
03	Drive roll	PE6405	PE6406	PE6406	PE6468	PE6468
04	Key	TL473	TL473	TL473	TL473	TL473
05	Coupling	PE416	PE416	PE416	PE416	PE416
06	Spider	TL417	TL417	TL417	TL417	TL417
07	Housing	PE482	PE482	PE482	PE482	PE482
08	Key	TL846	TL846	TL846	TL846	TL846
09	Hydraulic motor	TL1296	TL1296	TL1296	TL1296	TL1296
10	Flow control valve	TL412	TL412	TL412	TL412	TL412
11	Plug valve	TL429	TL429	TL429	TL429	TL429

## C. Support rolls.

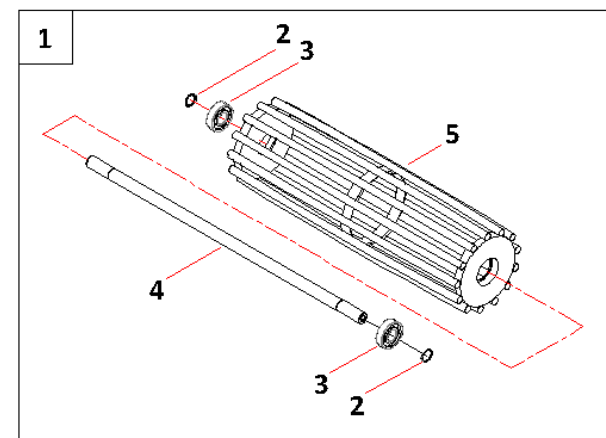
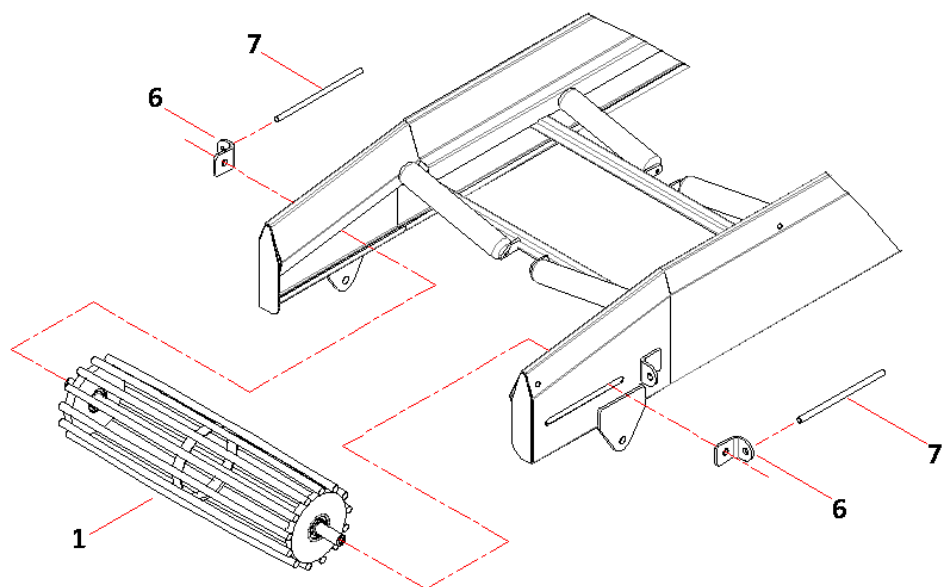


### C. Support rolls.

Pos:	Description.:	 ON400	 ON350	 ON450	 ON550	 ON650
01	Support roll complete	X	PE529	PE529	PE529	PE529
02	Support roll complete	X	PE525	PE525	PE525	PE525
03	Roll adjustment	X	PE6407	PE6407	PE6407	PE6407
04	Snap ring	X	TL2167	TL2167	TL2167	TL2167
05	Bearing	X	TL2067	TL2067	TL2067	TL2067
06	Axle	X	PE530	PE530	PE530	PE530
07	Roll	X	PE531	PE531	PE531	PE531
08	Snap ring	X	TL815	TL815	TL815	TL815
09	Bearing	X	TL2084	TL2084	TL2084	TL2084
10	Axle	X	PE523	PE523	PE523	PE523
11	Roll	X	PE524	PE524	PE524	PE524






## D. Cage-type roll.

---

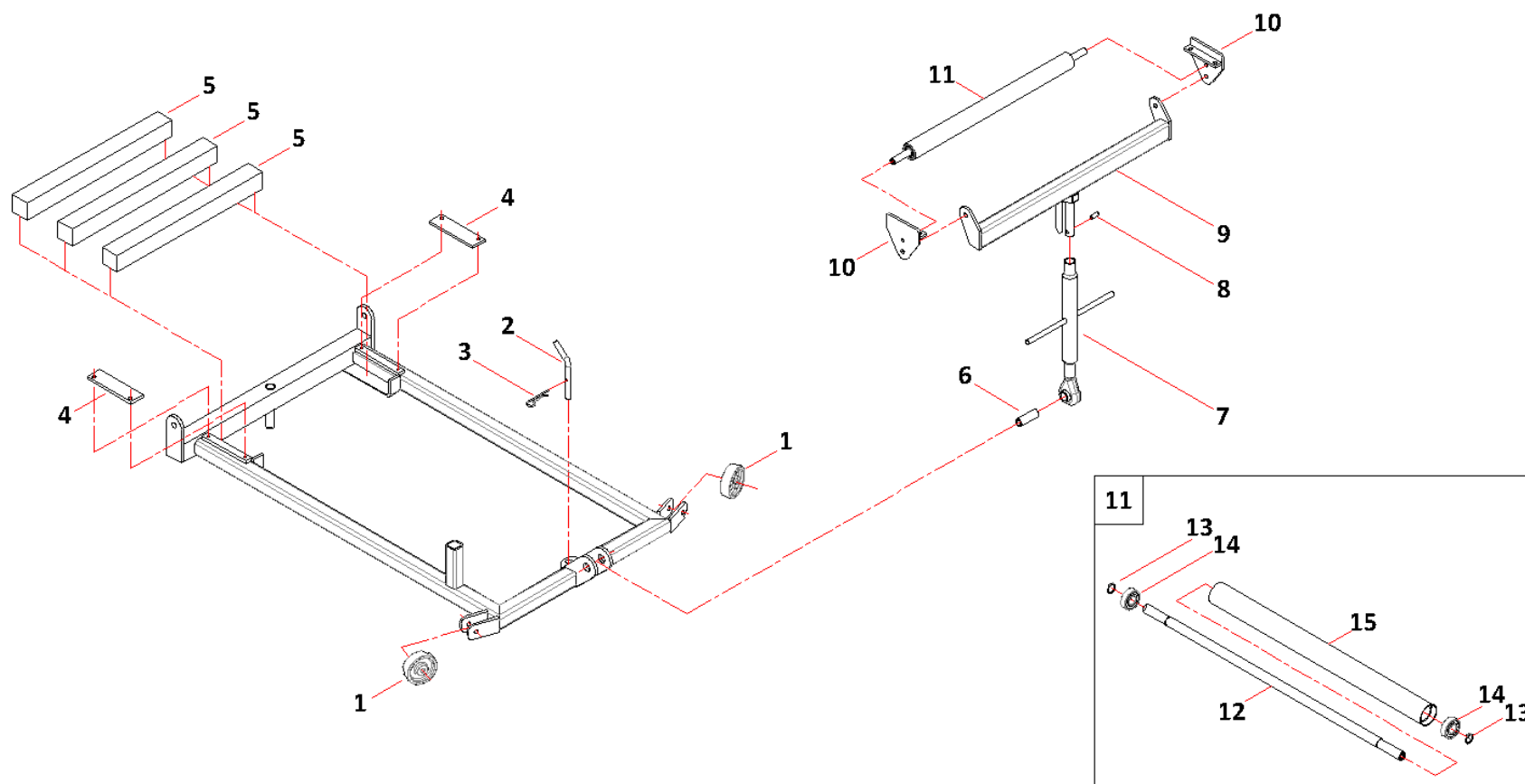









## D. Cage-type roll.

Pos:	Description:	 ON400	 ON350	 ON450	 ON550	 ON650
01	Cage-type roll complete	PE519	PE566	PE566	PE566	PE566
02	Snap-ring	TL815	TL815	TL815	TL815	TL815
03	Bearing	TL2084	TL2084	TL2084	TL2084	TL2084
04	Axle	PE518	PE518	PE518	PE518	PE518
05	Cage-type roll	PE521	PE567	PE567	PE567	PE567
06	Adjustment bracket	PE471	PE471	PE471	PE471	PE471
07	Adjuster	PE472	PE472	PE472	PE472	PE472

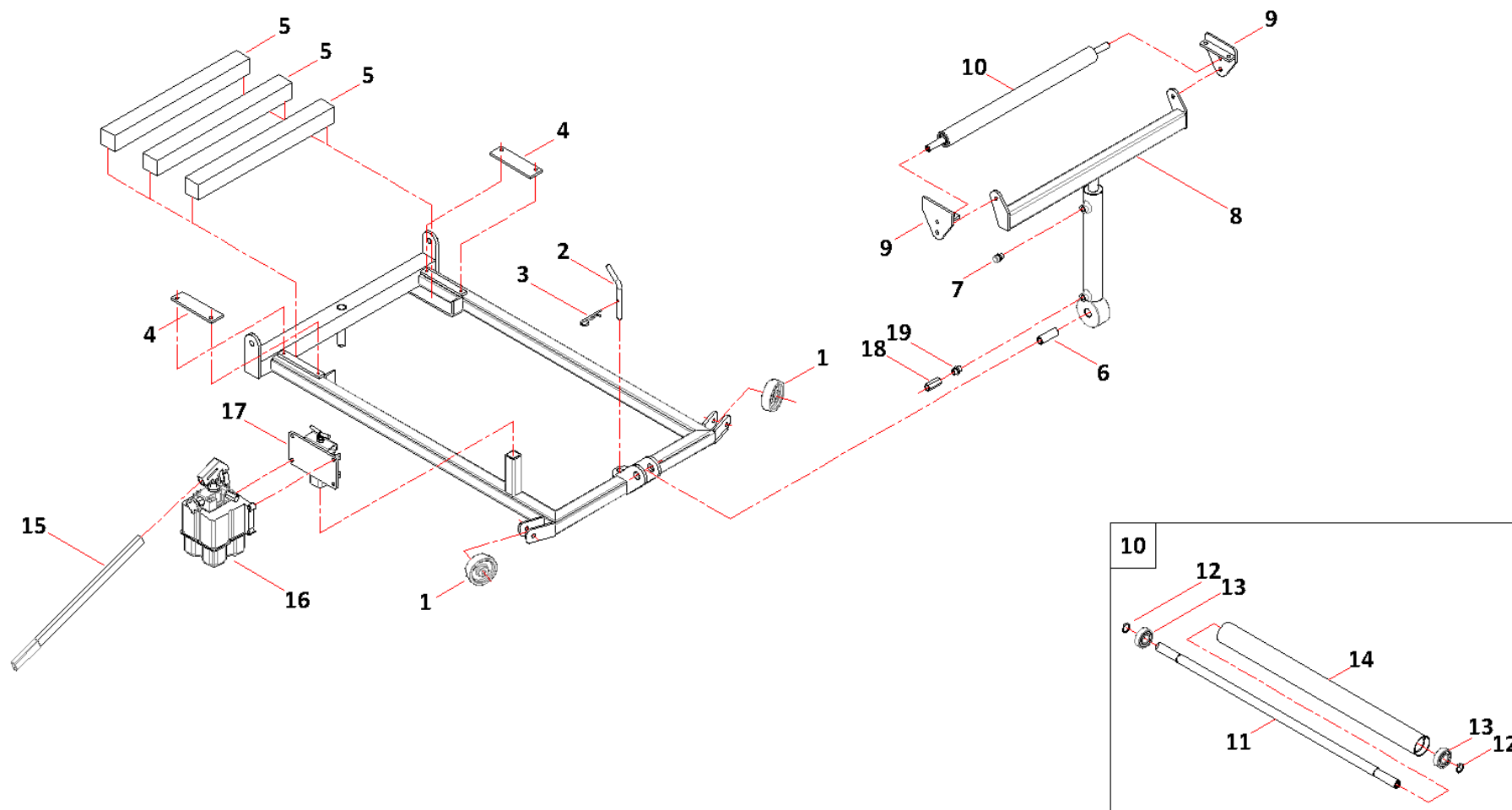
## E. Swivel frame mechanical height adjustment.



## E. Swivel frame mechanical height adjustment.






Pos:	Description:	 ON400	 ON350	 ON450	 ON550	 ON650
01	Wheel	TL479	TL479	TL479	X	X
02	Lock pin	PE490	PE490	PE490	X	X
03	Security clip	TL532	TL532	TL532	X	X
04	Cover	PE6410	PE6410	PE6410	X	X
05	Weight	PE6411	PE6411	PE6411	X	X
06	Tube	PE491	PE491	PE491	X	X
07	Top link	PE492	PE492	PE492	X	X
08	Security dowel	TL731	TL731	TL731	X	X
09	Upper bracket top link	PE494	PE494	PE494	X	X
10	Connection plate	PE493	PE493	PE493	X	X
11	Support roll complete	X	PE529	PE529	X	X
12	Axle	X	PE530	PE530	X	X
13	Snap ring	X	TL2167	TL2167	X	X
14	Bearing	X	TL2067	TL2067	X	X
15	Roll	X	PE531	PE531	X	X

## F. Swivel frame hydraulic height adjustment.

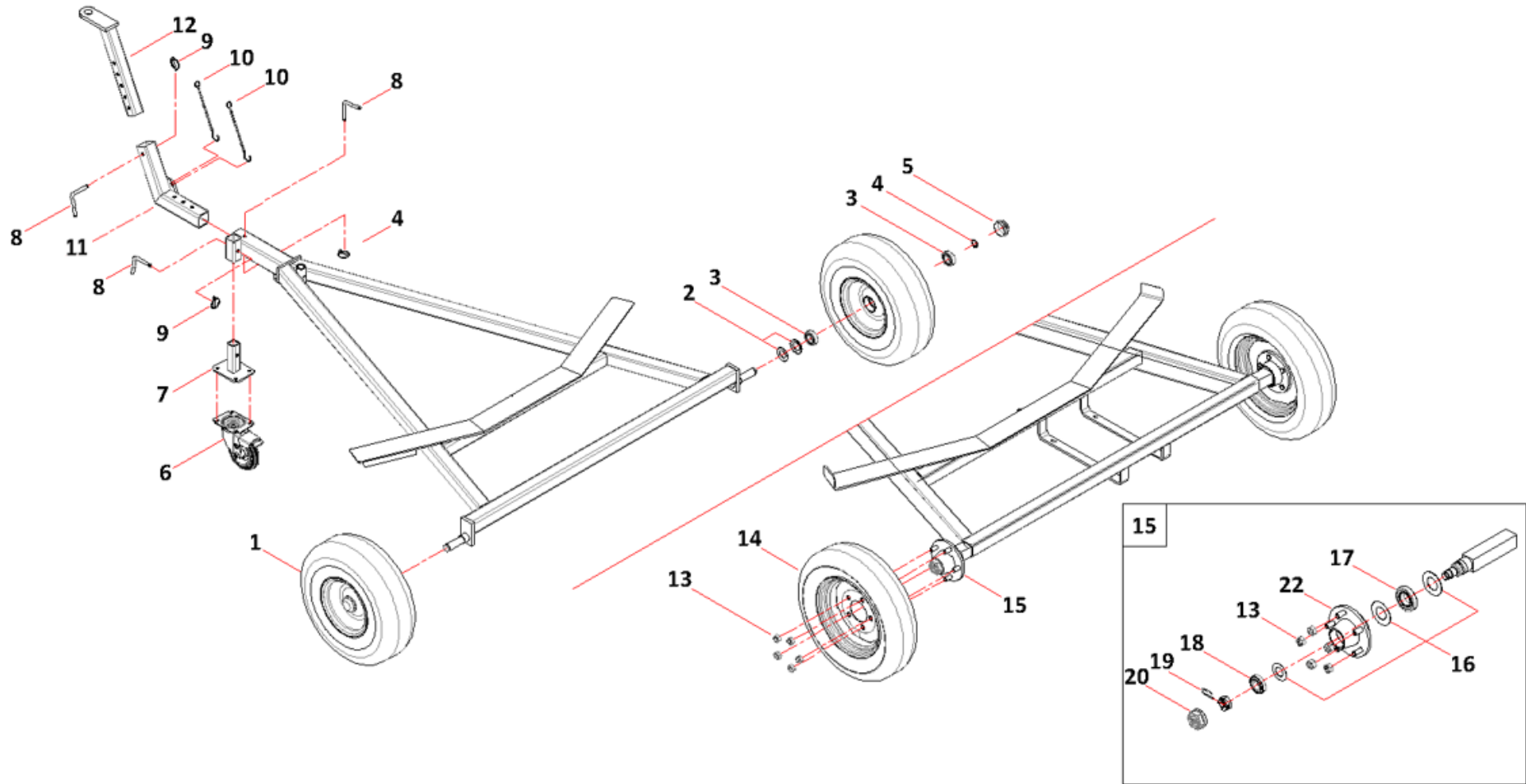


Modifications for technical improvements reserved.

## F. Swivel frame hydraulic height adjustment.






Pos:	Description:	 ON400	 ON350	 ON450	 ON550	 ON650
01	Wheel	TL479	TL479	TL479	TL6458	TL6458
02	Lockpin	PE490	PE490	PE490	PE490	PE490
03	Circlip	TL532	TL532	TL532	TL532	TL532
04	Cover	PE6410	PE6410	PE6410	PE6410	PE6410
05	Weight	PE6411	PE6411	PE6411	PE6490	PE6490
06	Tube	PE491	PE491	PE491	X	X
07	Air drain	TL576	TL576	TL576	TL576	TL576
08	Cylinder height adjustment	PE6408	PE6408	PE6408	PE6459	PE6459
09	Connection plate	PE493	PE493	PE493	PE493	PE493
10	Support Roll complete	X	PE529	PE529	PE529	PE529
11	Axle	X	PE530	PE530	PE530	PE530
12	Circlip	X	TL2167	TL2167	TL2167	TL2167
13	Bearing	X	TL2067	TL2067	TL2067	TL2067
14	Tube	X	PE531	PE531	PE531	PE531
15	Lever	TL6444	TL6444	TL6444	TL6444	TL6444
16	Hand pump	TL6443	TL6443	TL6443	TL6443	TL6443
17	Bracket hand pump	PE6448	PE6448	PE6448	X	X
18	Hose break valve	TL6441	TL6441	TL6441	TL6441	TL6441
19	Coupling	TL2629	TL2629	TL2629	TL2629	TL2629

## G. Chassis.



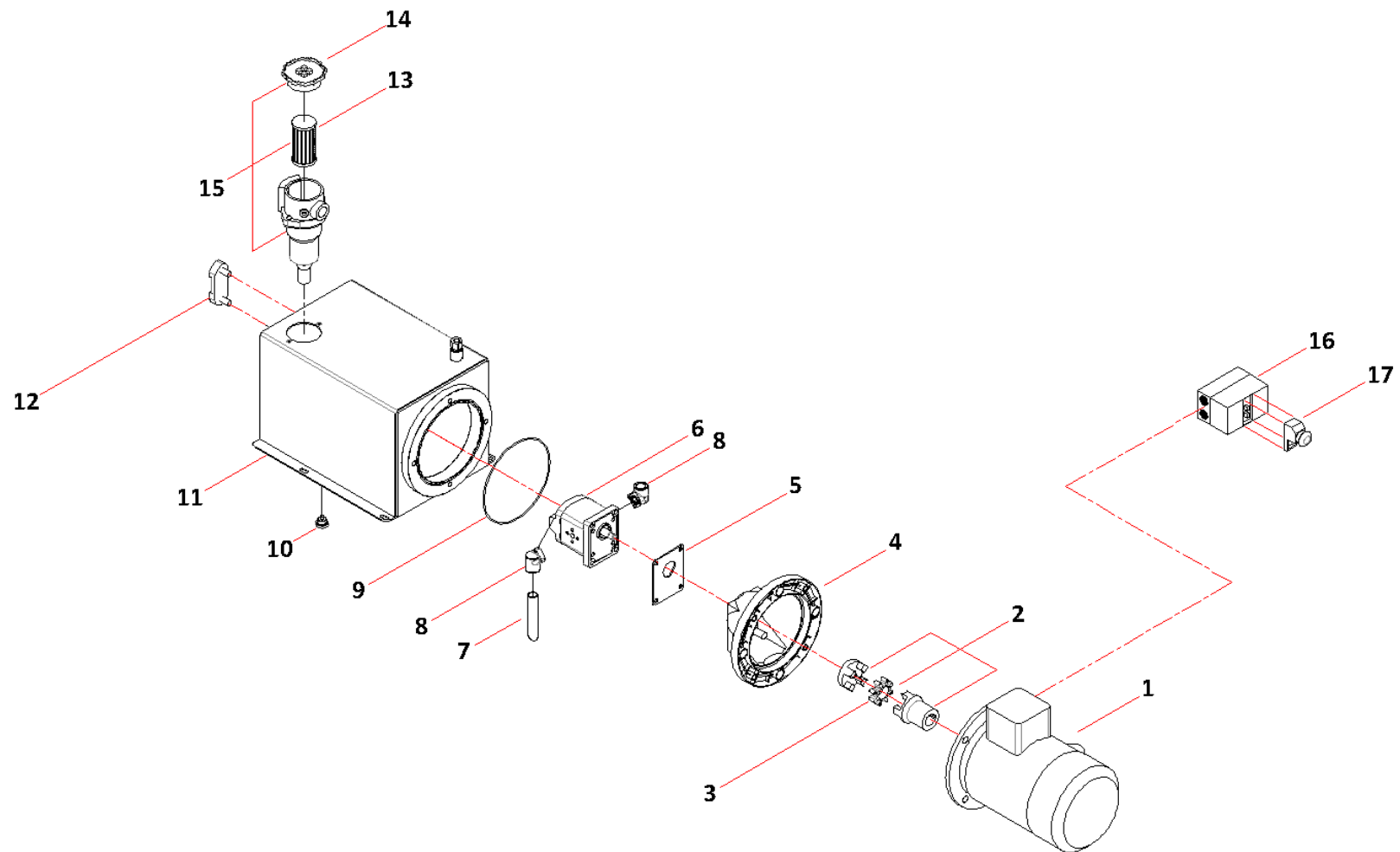
Modifications for technical improvements reserved.

## G. Chassis.

Pos:	Description:	 ON400	 ON350	 ON450	 ON550	 ON650
01	Wheel complete	TL6451	TL6451	TL6451	X	X
02	Lamella seal	TL6455	TL6455	TL6455	X	X
03	Bearing	TL2009	TL2009	TL2009	X	X
04	Circlip	TL891	TL891	TL891	X	X
05	Cap	TL6454	TL6454	TL6454	X	X
06	Caster wheel	TL6447	TL6447	TL6447	TL6447	TL6447
07	Wheel support	PE6446	PE6446	PE6446	PE6446	PE6446
08	Lock pin	PE420	PE420	PE420	PE420	PE420
09	Security clip	TL534	TL534	TL534	TL534	TL534
10	Safety cord	TL1086	TL1086	TL1086	TL1086	TL1086
11	Hitch connection	PE422	PE422	PE422	PE422	PE422
12	O-hitch	PE421	PE421	PE421	PE421	PE421
13	Wheel nut	X	X	X	TL6486	TL6486
14	Wheel complete	X	X	X	TL6480	TL6480
15	Hub complete	X	X	X	TL6483	TL6483
16	Seal Hub	X	X	X	TL6485	TL6485
17	Bearing	X	X	X	TL6487	TL6487
18	Bearing	X	X	X	TL661	TL661
19	Lock pin + Nut	X	X	X	TL6489	TL6489
20	Hubcap	X	X	X	TL6488	TL6488

## H. Hydraulic-Electric Drive.






---



Modifications for technical improvements reserved.

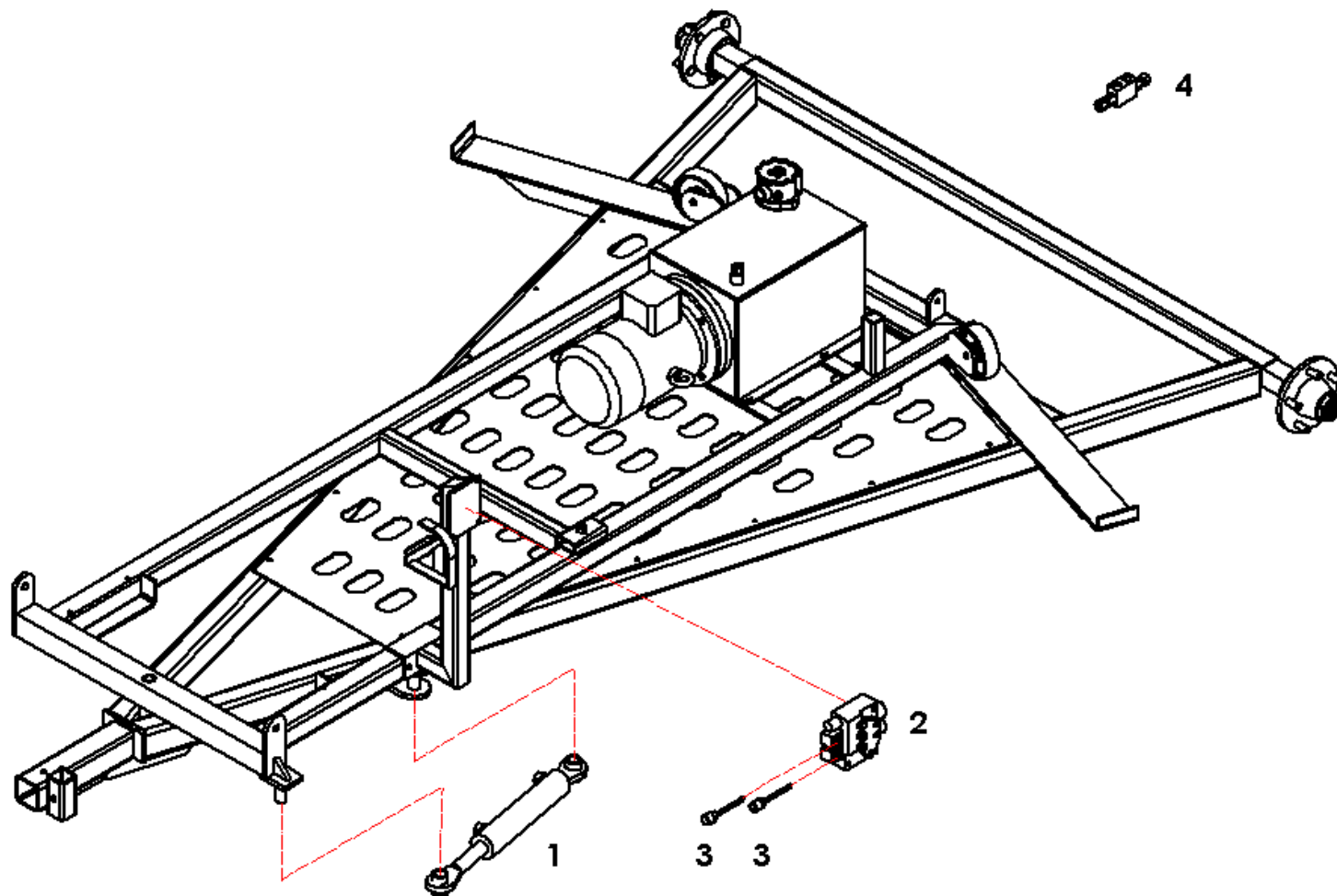


## H. Hydraulic-Electric Drive.






Pos:	Description:	 ON400	 ON350	 ON450	 ON550	 ON650
01	Electric motor	TL6422	TL6422	TL6422	TL6422	TL6422
02	Coupling	TL6419	TL6419	TL6419	TL6419	TL6419
03	Spider	TL6420	TL6420	TL6420	TL6420	TL6420
04	Bell housing	TL6418	TL6418	TL6418	TL6418	TL6418
05	Gasket Pump	TL6477	TL6477	TL6477	TL6477	TL6477
06	Pump	TL6416	TL6416	TL6416	TL6416	TL6416
07	Pipe	PE6417	PE6417	PE6417	PE6417	PE6417
08	Flange	TL7590	TL7590	TL7590	TL7590	TL7590
09	O-Ring	TL6478	TL6478	TL6478	TL6478	TL6478
10	Plug	TL3844	TL3844	TL3844	TL3844	TL3844
11	Tank	PE6414	PE6414	PE6414	PE6414	PE6414
12	Oil level indicator	TL6402	TL6402	TL6402	TL6402	TL6402
13	Filter	TL6404	TL6404	TL6404	TL6404	TL6404
14	Lid	TL6450	TL6450	TL6450	TL6450	TL6450
15	Tank topper	TL6403	TL6403	TL6403	TL6403	TL6403
16	Protective circuit switch	TL548	TL548	TL548	TL548	TL548
17	Emergency switch	TL549	TL549	TL549	TL549	TL549

## I. Hydraulic Swivel Cylinder

---

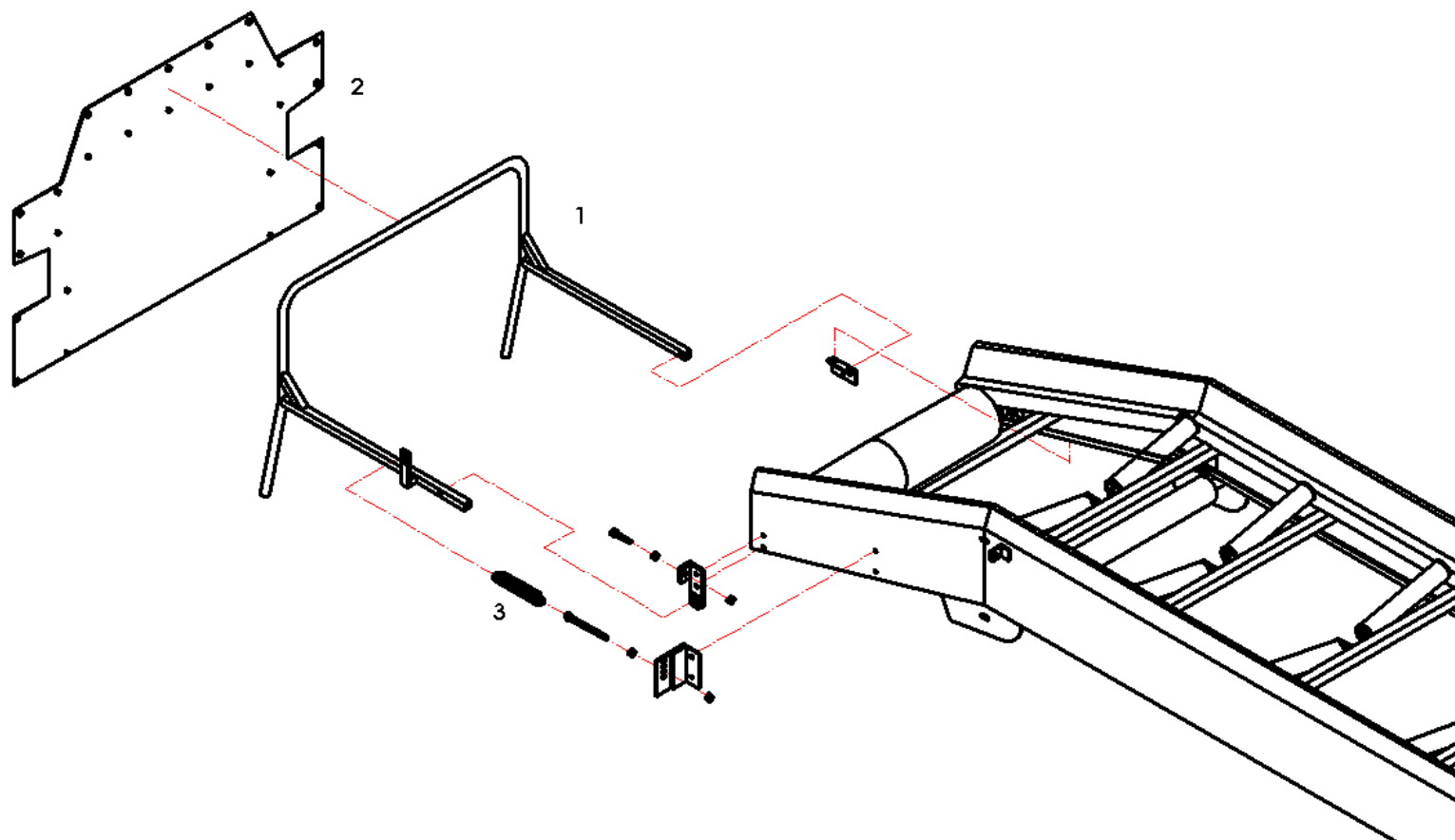


## I. Hydraulic Swivel Cylinder






Pos:	Description.:	 ON400	 ON350	 ON450	 ON550	 ON650
01	Hydraulic cylinder	X	X	X	TL7576	TL7576
02	Valve	X	X	X	TL2427	TL2427
03	Lever	X	X	X	TL1717	TL1717
04	Controlled non-return valve	X	X	X	TL3321	TL3321

## J. Fall Breaker

---



## J. Fall Breaker

Pos:	Description.:	 ON400	 ON350	 ON450	 ON550	 ON650
01	Bracket	PE585	PE6445	PE6445	PE6445	PE6445
02	Sail	TL591	TL591	TL591	TL591	TL591
03	Spring	TL586	TL586	TL586	TL586	TL586