

Parts List

SAMON ELEVATOR



ELLENS
SAMON
LANDBOUWTECHNIEK BV

Type: ON400 ■ ON350 ■ ON450 ■ ON550 ■ ON650
Version: Hydraulic ■ Hydraulic-Elektric
Serial nr.: 22011814 - >>>

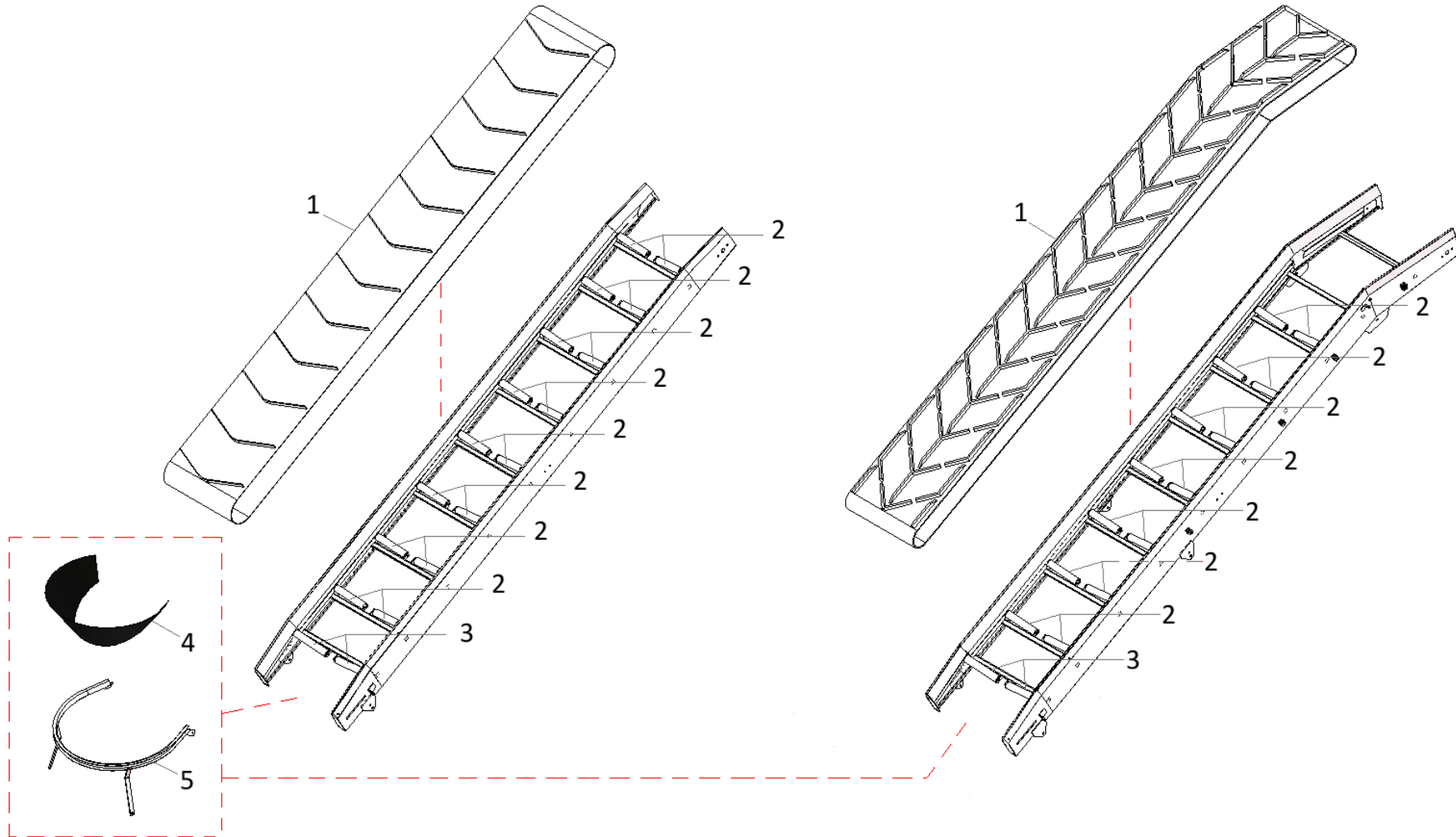


Index Parts list

SAMON Elevator:






Index.	Description.	Page:
A.	Conveyor, carrying rollers and hopper.	S-1
B.	Drive unit.	S-3
C.	Support rolls.	S-5
D.	Cage-type roll.	S-7
E.	Swivel frame mechanical height adjustment.	S-9
F.	Swivel frame hydraulic height adjustment.	S-11
G.	Chassis.	S-13
H.	Hydraulic - electrical drive.	S-15

A. Conveyor, carrying rollers and hopper.

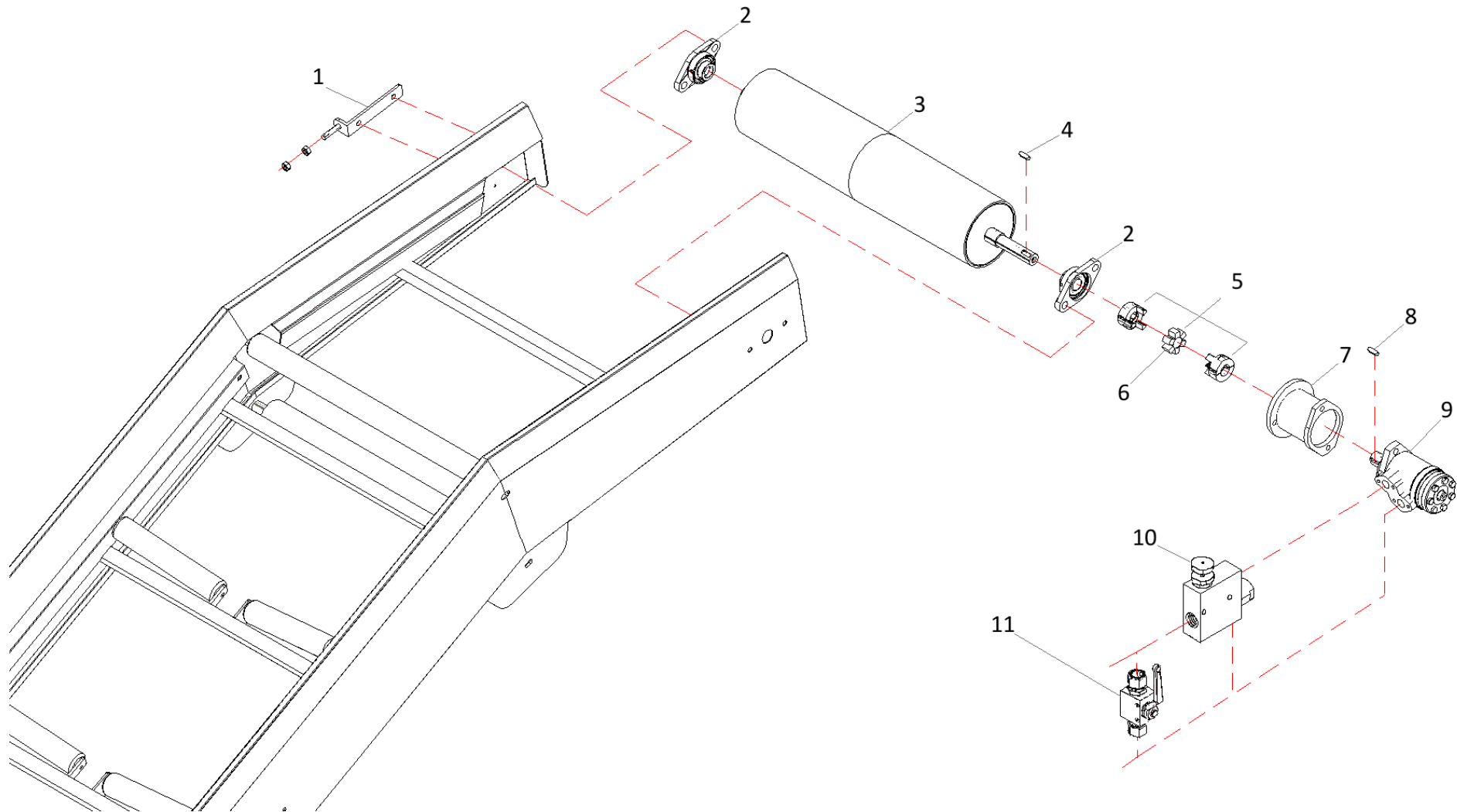


Modifications for technical improvements reserved.

A. Conveyor, carrying rollers and hopper.






Pos:	Description:	 ON400	 ON350	 ON450	 ON550	 ON650
01	Conveyor	TL496	TL497	TL498	TL6456	TL6457
02	Carrying roll	TL415				
03	Carrying roll	TL466				
04	Rubber	TL488				
05	Bracket	PE487				

B. Drive Unit.

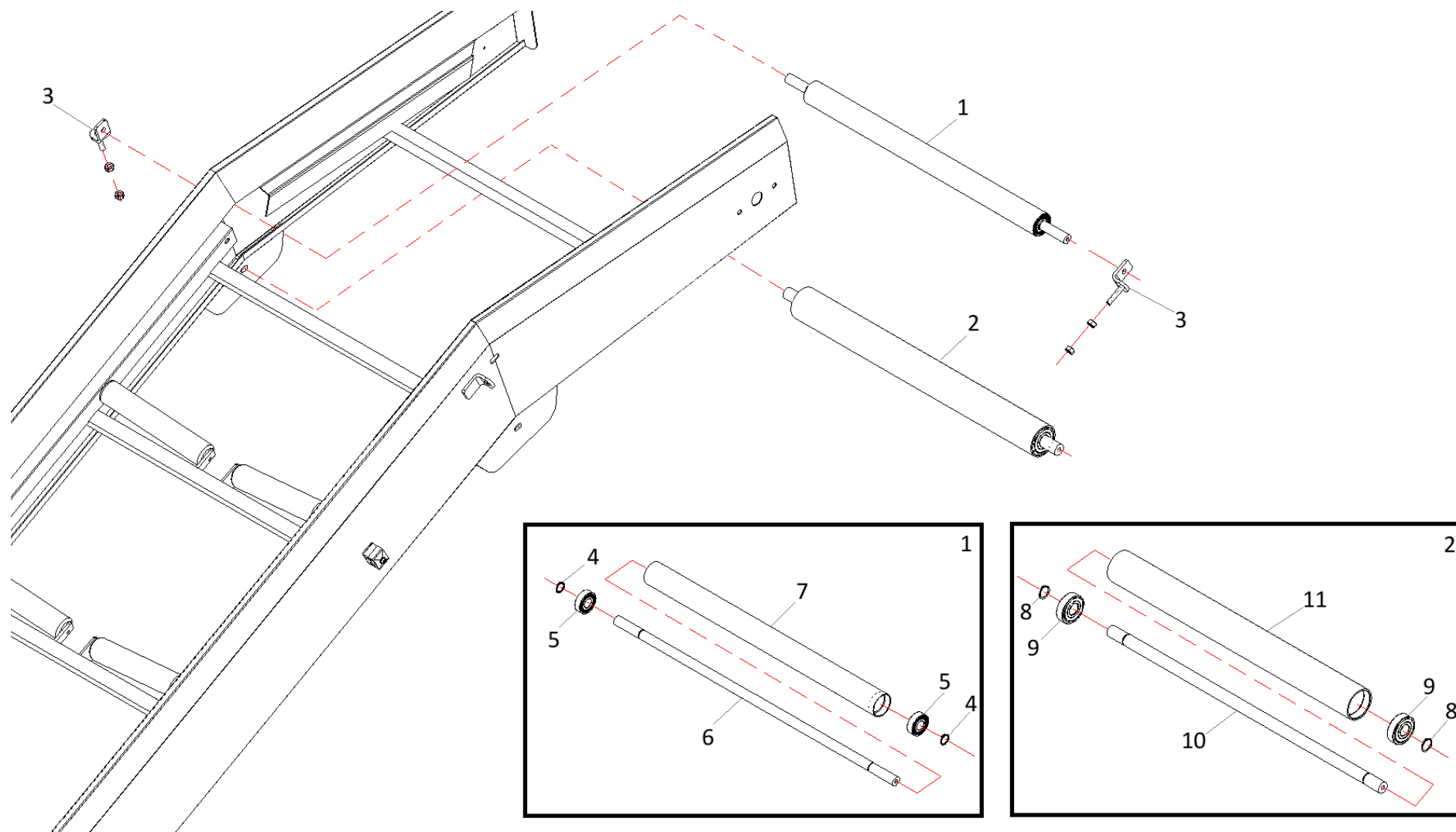


Modifications for technical improvements reserved.

B. Drive Unit.






Pos:	Description:	 ON400	 ON350	 ON450	 ON550	 ON650
01	Adjuster	PE477				
02	Bearing	TL408				
03	Drive roll	PE6405	PE6406	PE6406	PE6468	PE6468
04	Key	TL473				
05	Coupling	PE416				
06	Spider	TL417				
07	Housing	PE482				
08	Key	TL846				
09	Hydraulic motor	TL575	TL1296	TL1296	TL1296	TL1296
10	Flow control valve	TL412				
11	Plug valve	TL429				

C. Support rolls.

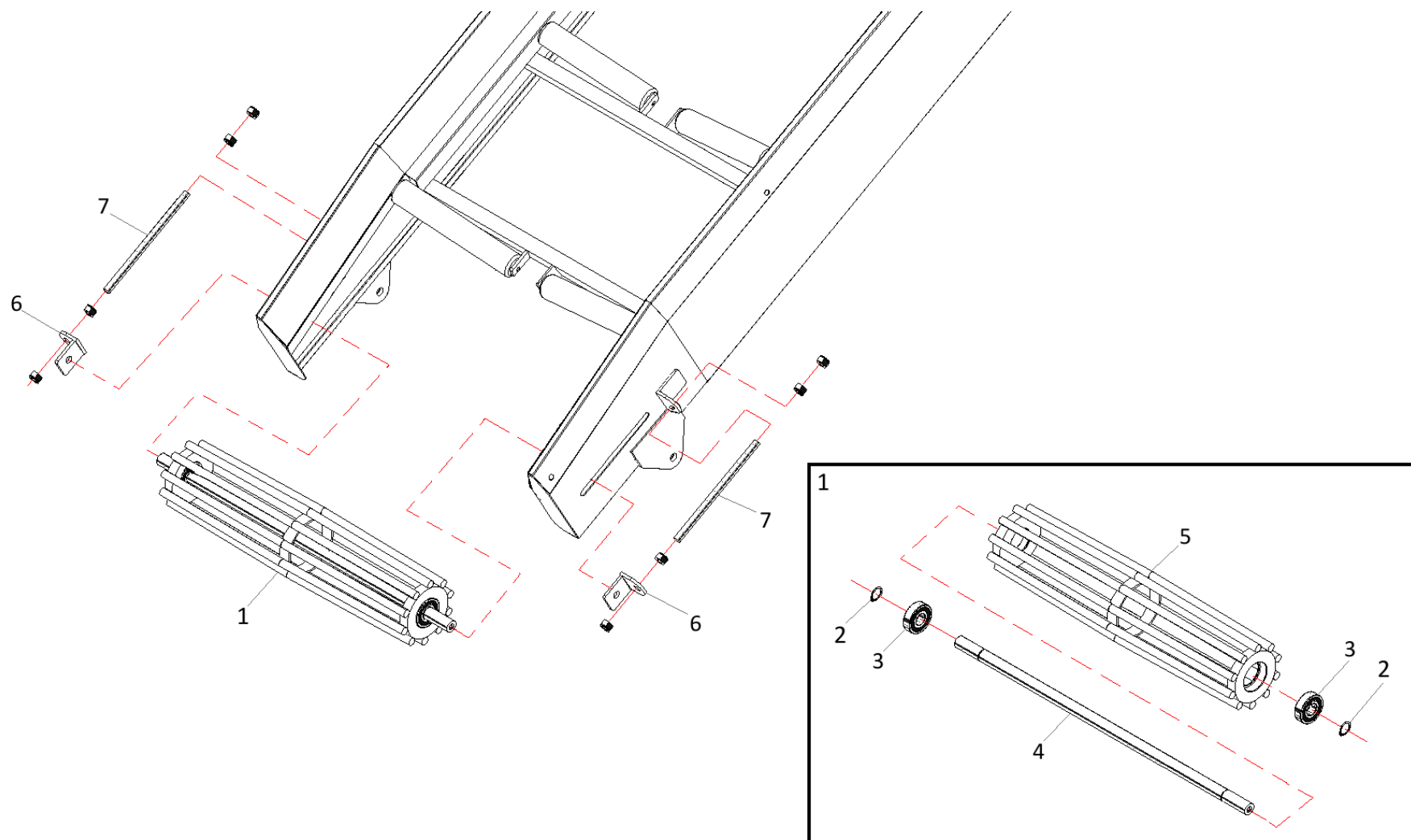


Modifications for technical improvements reserved.

C. Support rolls.






Pos:	Description.:	 ON400	 ON350	 ON450	 ON550	 ON650
01	Support roll complete	X	PE529			
02	Support roll complete	X	PE525			
03	Roll adjustment	X	PE6407			
04	Snap ring	X	TL2167			
05	Bearing	X	TL2067			
06	Axle	X	PE530			
07	Roll	X	PE531			
08	Snap ring	X	TL815			
09	Bearing	X	TL2106			
10	Axle	X	PE523			
11	Roll	X	PE524			

D. Cage-type roll.

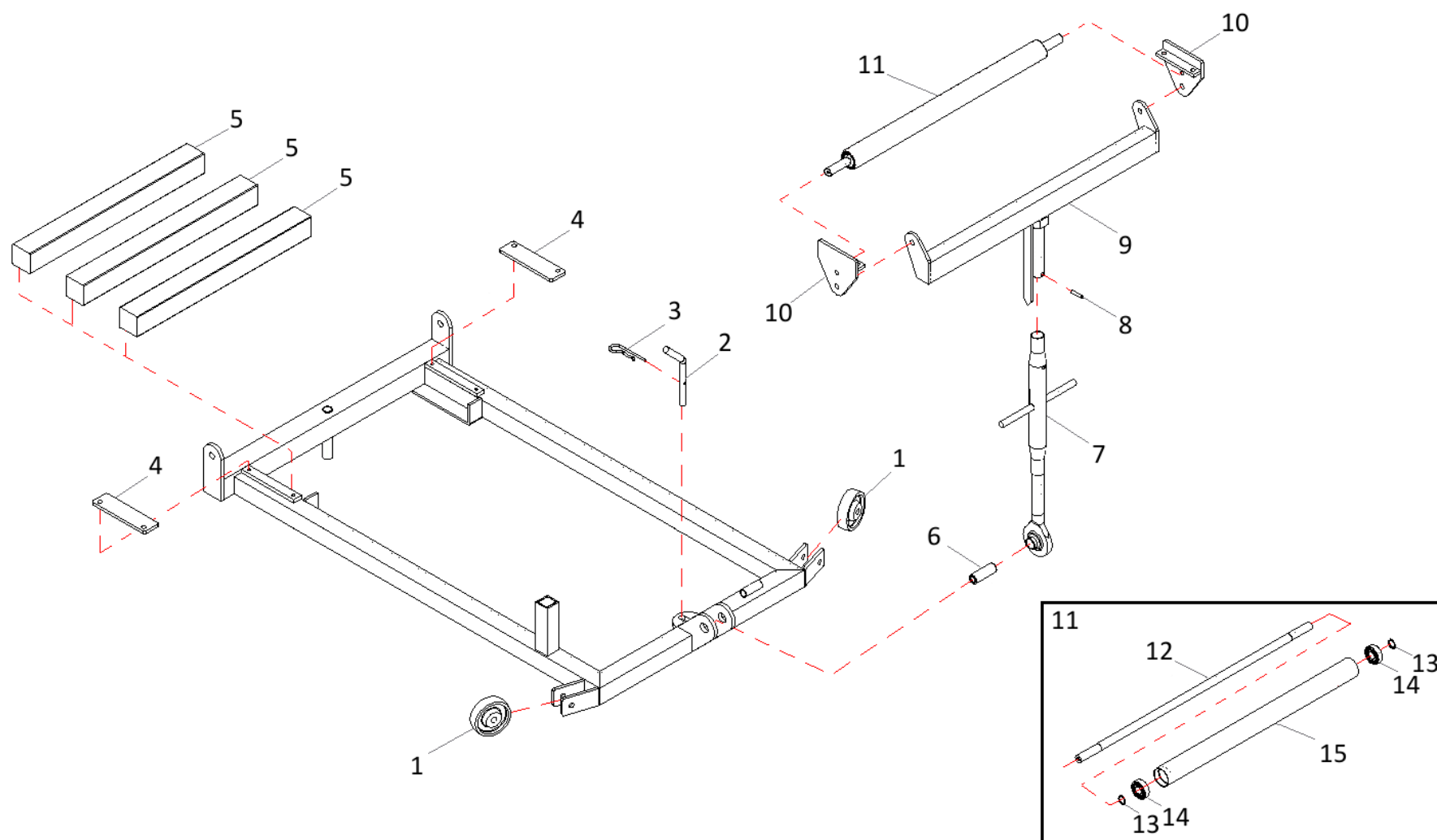


Modifications for technical improvements reserved.

D. Cage-type roll.






Pos:	Description:	 ON400	 ON350	 ON450	 ON550	 ON650
01	Cage-type roll complete	PE519	PE566	PE566	PE566	PE566
02	Snap-ring	TL815				
03	Bearing	TL2106				
04	Axle	PE518				
05	Cage-type roll	PE521	PE567	PE567	PE567	PE567
06	Adjustment bracket	PE471				
07	Adjuster	PE472				

E. Swivel frame mechanical height adjustment.

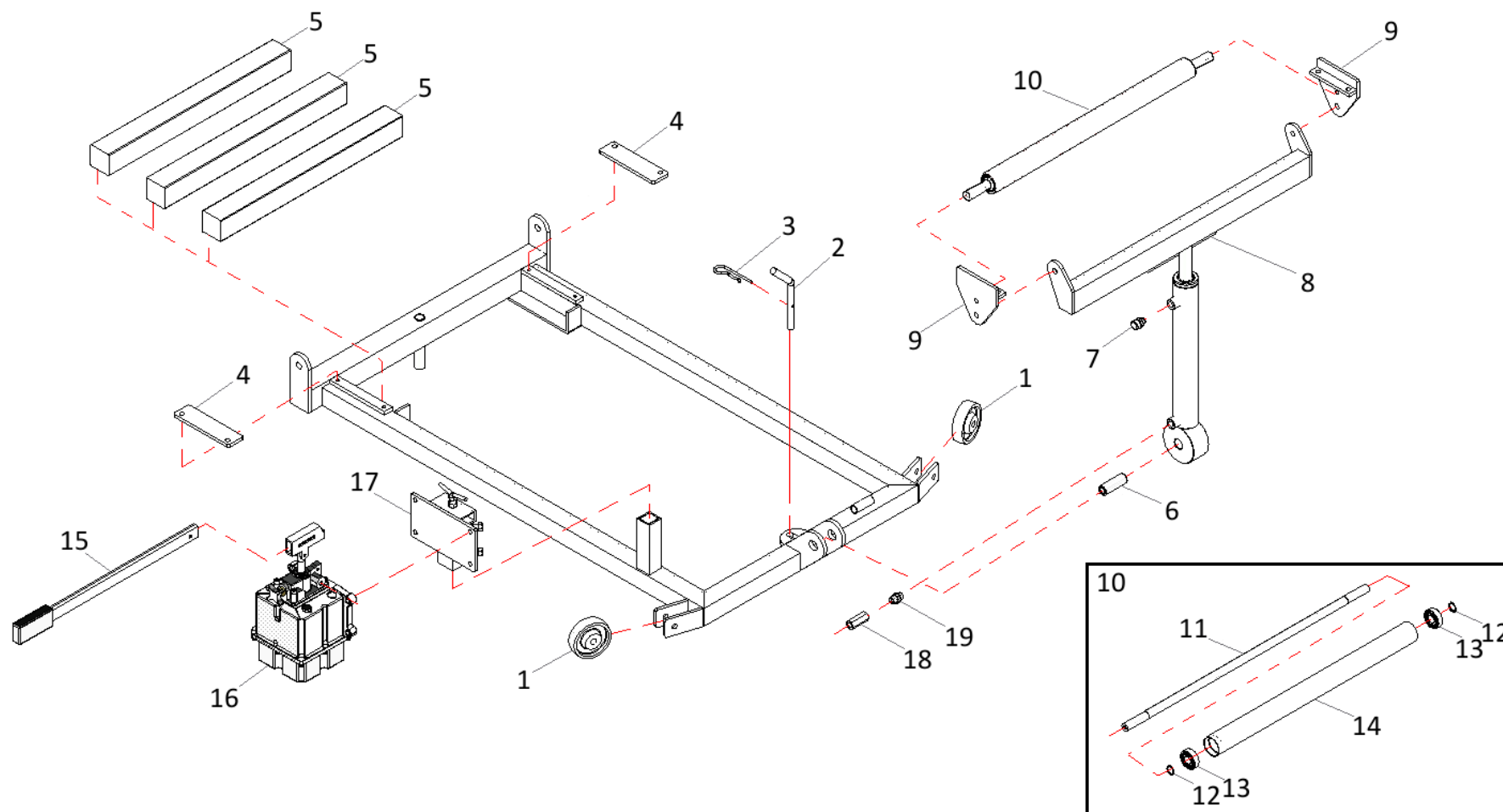


Modifications for technical improvements reserved.






E. Swivel frame mechanical height adjustment.

Pos:	Description:	 ON400	 ON350	 ON450	 ON550	 ON650
01	Wheel	TL479			X	X
02	Lock pin	PE490			X	X
03	Security clip	TL532			X	X
04	Cover	PE6410			X	X
05	Weight	PE6411			X	X
06	Tube	PE491			X	X
07	Top link	PE492			X	X
08	Security dowel	TL731			X	X
09	Upper bracket top link	PE494			X	X
10	Connection plate	PE493			X	X
11	Support roll complete	X	PE529		X	X
12	Axle	X	PE530		X	X
13	Snap ring	X	TL2167		X	X
14	Bearing	X	TL2067		X	X
15	Roll	X	PE531		X	X

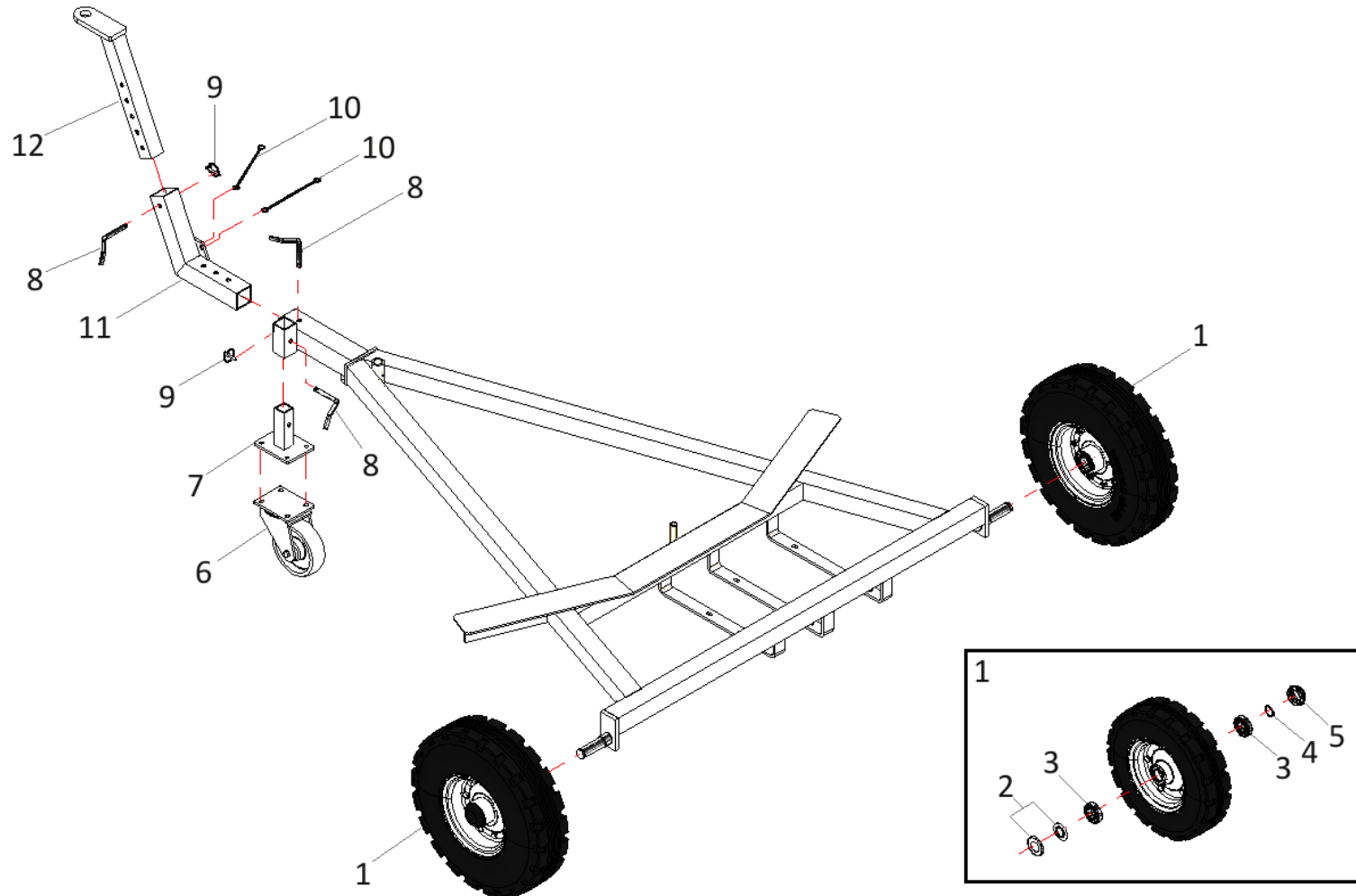
F. Swivel frame hydraulic height adjustment.



F. Swivel frame hydraulic height adjustment.






Pos:	Description:	 ON400	 ON350	 ON450	 ON550	 ON650
01	Wheel	TL479	TL479	TL479	TL6458	TL6458
02	Lockpin	PE490				
03	Circlip	TL532				
04	Cover	PE6410				
05	Weight	PE6411				
06	Tube	PE491			X	X
07	Air drain	TL576				
08	Cylinder height adjustment	PE6408	PE6408	PE6408	PE6459	PE6459
09	Connection plate	PE493				
10	Support Roll complete	X	PE529			
11	Axle	X	PE530			
12	Circlip	X	TL2167			
13	Bearing	X	TL2067			
14	Tube	X	PE531			
15	Lever	TL6444				
16	Hand pump	TL6443				
17	Bracket hand pump	PE6448			X	X
18	Hose break valve	TL6441				
19	Coupling	TL2629				

G. Chassis.

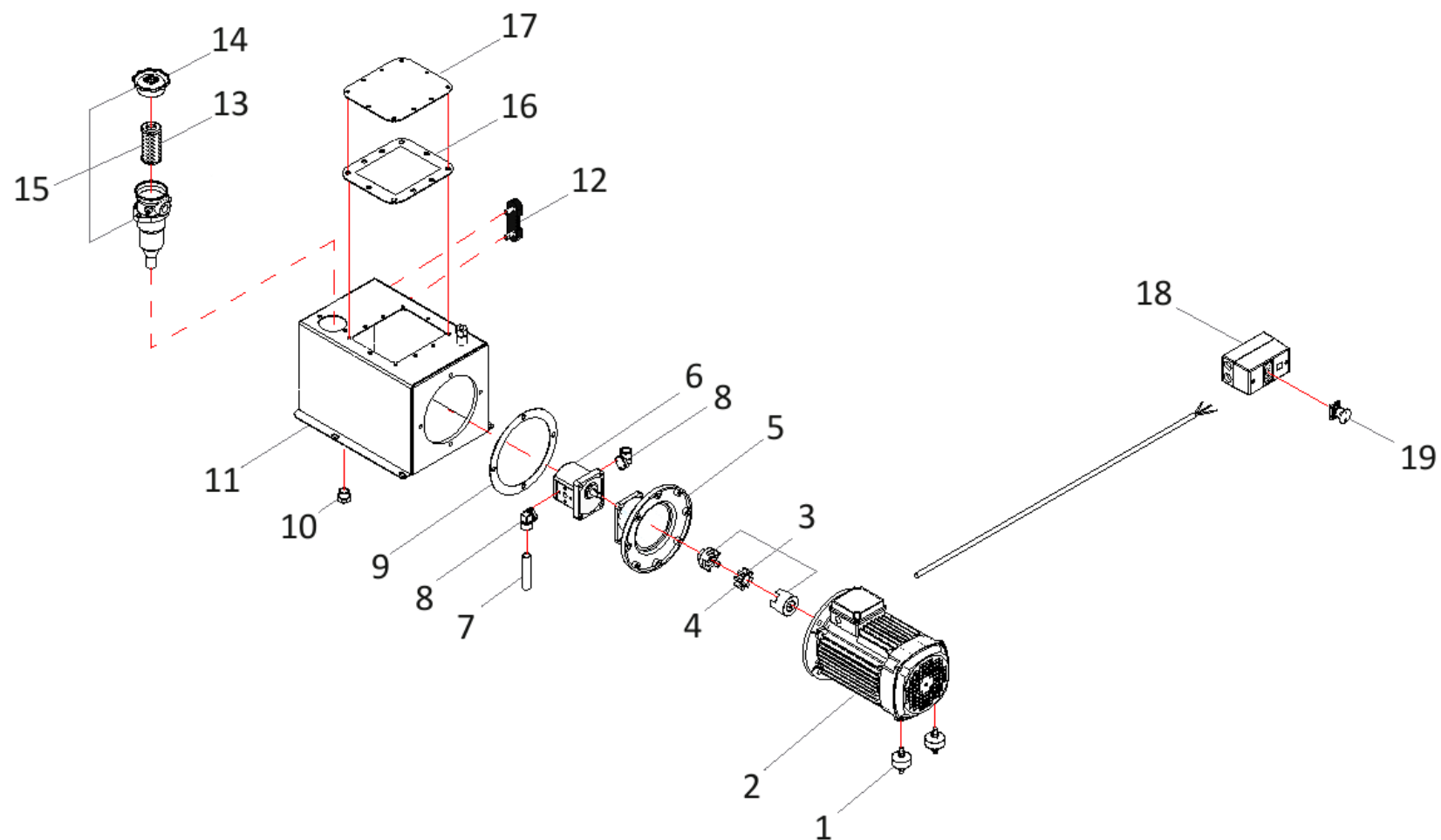


Modifications for technical improvements reserved.

G. Chassis.






Pos:	Description:	 ON400	 ON350	 ON450	 ON550	 ON650
01	Wheel complete	TL6451				
02	Lamella seal	TL6455				
03	Bearing	TL2009				
04	Circlip	TL891				
05	Cap	TL6454				
06	Caster wheel	TL6447				
07	Wheel support	PE6446				
08	Lock pin	PE420				
09	Security clip	TL534				
10	Safety cord	TL1086				
11	Hitch connection	PE422				
12	O-hitch	PE421				

H. Hydraulic-Electric Drive.



Modifications for technical improvements reserved.

H. Hydraulic-Electric Drive.

Pos:	Description:	 ON400	 ON350	 ON450	 ON550	 ON650
01	Damper	TL6449				
02	Electric motor	TL6422				
03	Coupling	TL6419				
04	Spider	TL6420				
05	Bell housing	TL6418				
06	Pump	TL6416				
07	Pipe	PE6417				
08	Flange	TL6423				
09	Seal	TL6465				
10	Plug	TL545				
11	Tank	PE6414				
12	Oil level indicator	TL6426				
13	Filter	TL6404				
14	Lid	TL6450				
15	Tank topper	TL6403				
16	Seal	TL6466				
17	Lid	PE6467				
18	Protective circuit switch	TL548				
19	Emergency switch	TL549				